



PRO 

PTZ-Speed Dome

AI 23X/30X/36X/42X PTZ Network Camera

AI Video Analytics

- 8 intelligent VCA modes powered by AI engine, which can intelligently filter objects to focus on human and vehicle detection.
- People Counting technology provides high accuracy and real-time data based on AI algorithm with statistic reports.
- Face Detection function detects human faces in the monitoring scene and captures the snapshots, which greatly enhances the monitoring efficiency.

Intelligent PTZ Auto Tracking

With AI detection, the Network Camera could leverage motor mechanism to perform Pan/Tilt/Zoom to track the moving human or vehicle automatically and adjust zoom status flexibly according to the target distance with the powerful optical zoom capability.

Up to 42X Optical Zoom

Embedded with optical zoom lens, the camera's resolution is up to 42X optical zoom which allows the user to zoom up to distant objects while still maintaining the clarity and delivering high quality video over the entire zoom range.

30fps@4K

Providing 4K HD resolution with frame rate of 30fps, the camera performs well in catching detailed image regardless of the moving speed.

FEATURES

- Smart IR II Combining the High Beam and Low Beam to adjust IR intensity.
- Smart Stream saves on H.265+ 70%~80% bandwidth that of H.264.
- Smart PTZ Motion Detection.
- Keyboard Control.
- 100fps High Frame Rate.



PRO SERIES


TECHNICAL SPECIFICATION

CAMERA

	MV-P220-X36-PTZ-SD (2MP)	MV-P228-X23-PTZ-ED (2MP)	MV-P228-X30-PTZ-SB (2MP)	MV-P228-X42-PTZ-SB (2MP)
Image Sensor	1/2" Progressive Scan CMOS		1/2.8" Progressive Scan CMOS	
Min. Illumination	Color: 0.002Lux@F1.55 B/W: 0Lux with IR on	Color: 0.005Lux@F1.5 B/W: 0Lux with IR on		Color: 0.005Lux@F1.2 Color: 0.008Lux@F1.6 B/W: 0Lux with IR on
WDR	140dB Super WDR Pro	140dB Super WDR (Super WDR Pro is optional for T Series)		
Shutter Time	1/100000s~1s			
Digital Zoom	16X			
Day/Night Mode	Day/Night/Auto/Customize/Schedule			
S/N	>55dB			

LENS

Focal Length	5.7~205.2mm,36X Optical Zoom	5~117mm,23X Optical Zoom	4.7~141mm,30X Optical Zoom	7~300mm, 42X Optical Zoom
Zoom Speed	Approx 5s (Wide-Tele)			
Field of View	H63°~H3°/D69°~D3°/V38°~V1°	H60°~H3°/D69°~D4°/V35°~V2°	H62°~H3°/D70°~D3°/V37°~V1°	H45°~H2°/D50°~D2°/V27°~V1°
Focus Control	Auto/Semi-Auto/Manual			
Minimum Working Distance	1500/1500mm (Wide/Tele)	100/1500mm (Wide/Tele)	100/1500mm (Wide/Tele)	100/1500mm (Wide/Tele)
Aperture	F1.55~F4.8	F1.5~F3.5	F1.5~F4.0	F1.8~F6.5
Iris Control	Auto			

PTZ

Pan Range/Pan Speed	360°endless / Pan Manual Speed: 0.1°~180°/s, Pan Preset Speed: 240°/s			
Tilt Range/Tilt Speed	0°~90°(Auto Flip) / Tilt Manual Speed: 0.5°~120°/s, Tilt Preset Speed: 200°/s			
Proportional Zoom	Support			
Preset Quantity	300			
Patrol	8 Patrols, up to 48 presets each patrol			
Pattern	4 Patterns			
Auto Tracking	Support			
Power Off Memory	Support			
Other Function	Auto Scan, Auto Home, Preset Freezing, 3D Positioning, PTZ Limits, Initial Position			

IR

IR Distance	Up to 300m	Up to 200m	Up to 200m/Up to 300m(Wiper Version)	Up to 300m
IR Angle	Auto/Manual			

VIDEO

Max. Image Resolution	1920x1080			
Primary Stream	60Hz: 100fps@(1920x1080)(Optional for T Series), 60fps@(1920x1080, 1280x960, 1280x720, 704x576) 50Hz: 100fps@(1920x1080)(Optional for T Series), 50fps@(1920x1080, 1280x960, 1280x720, 704x576)			
Secondary Stream	60Hz: 60fps@(704x576, 640x480, 640x360, 352x288, 320x240, 320x192, 320x180) 50Hz: 50fps@(704x576, 640x480, 640x360, 352x288, 320x240, 320x192, 320x180)			
Tertiary Stream	60Hz: 30fps@(1920x1080, 1280x720, 704x576, 640x480, 640x360, 320x240, 320x192, 320x180) 50Hz: 25fps@(1920x1080, 1280x720, 704x576, 640x480, 640x360, 320x240, 320x192, 320x180)			
Video Compression	H.265+/H.265(HEVC)/H.264+/H.264/MJPEG			
Video Bit Rate	16Kbps~16Mbps(CBR/VBR Adjustable)			

PRO SERIES

TECHNICAL SPECIFICATION

VIDEO

	MV-P220-X36-PTZ-SD (2MP)	MV-P228-X23-PTZ-ED (2MP)	MV-P228-X30-PTZ-SB (2MP)	MV-P228-X42-PTZ-SB (2MP)
Privacy Masking	Up to 28 areas(24 mask areas and 4 mosaic areas)			
ROI	Up to 8 areas			
Image Setting	Brightness/Contrast/Saturation/Sharpness			

INTERFACE

Ethernet	1*RJ45 10M/100M Ethernet Port			
Audio I/O	1/1			
Alarm I/O	4/2			
RS485	Support			

NETWORK

Network Storage	NAS(Support NFS, SMB/CIFS), ANR(Automatic Network Replenishment)			
Protocol	IPv4/IPv6, ARP, TCP, UDP, RTCP, RTP, RTSP, RTMP, HTTP, HTTPS, DNS, DDNS, DHCP, FTP, NTP, SMTP, SNMP, UPnP, Bonjour, SIP, PPPoE, VLAN, 802.1x, QoS, IGMP, ICMP, SSL			

AUDIO

Audio Compression	G.711/AAC/G.722/G.726			
Audio Sampling Rate	8/16/32/44.1/48KHz			
Audio Bit Rate	16~256kbps			
Two-way Audio	Support			

INTELLIGENT ANALYTICS

Video Analysis	Region Entrance, Region Exiting, Advanced Motion Detection, Tamper Detection, Line Crossing, Loitering, Object Left, Object Removed			
Face Detection	Detect and capture faces, get real-time snapshots			
People Counting& Report	Count the number of people entering or exiting, up to 4 detection areas for regional people counting			

SYSTEM

Storage	Support microSD/SDHC/SDXC Card Local Storage, up to 256Gb			
Advanced Function	BLC, HLC, 2D DNR, 3D DNR, Defog, AWB, EIS, IP Address Filtering, AGC, Anti-flicker, Corridor Mode, Deblur, Watermark			
SIP/VoIP Support	Yes, Voice & Video-over-IP			
Event Trigger	Motion Detection, Network Disconnection, External Input, Audio Alarm, etc.			
Event Action	FTP Upload, SMTP Upload, SD Card Record, External Output, SIP Phone, PTZ Motion, HTTP Notification, etc.			
System Compatibility	ONVIF Profile G & Q & S & T, API			

GENERAL

Working Condition	-40°C~60°C/ Humidity: 0~90%(Non-condensing)			
Power Supply	PoE (802.3at) / AC 24V/3A±10%			
Power Consumption	13W MAX / 23W MAX(With IR on)	12W MAX / 24W MAX (With IR on)	12W MAX / 23W MAX (With IR on)	
Weather Proof/Housing	Up to IP66-rated for Weather-resistant Performance / Vandal-proof IK10-rated Metal Housing(Optional)			
Heater	Support			
Wiper (Optional)	Support	N.A	Support	
Surge Protection	6KV			
Dimensions/Weight	Φ205mmX308mm/4Kg			
Warranty	2 Years / 3 Years (Optional)			

PRO SERIES


TECHNICAL SPECIFICATION

CAMERA

	MV-P528-X23-PTZ-SD (5MP)	MV-P528-X30-PTZ-SB (5MP)	MV-P528-X42-PTZ-SB (5MP)	MV-P818-X36-PTZ-SB (4K)
Image Sensor	1/2.8" Progressive Scan CMOS			1/1.8" Progressive Scan CMOS
Min. Illumination	Color: 0.008Lux@F1.5 B/W: 0Lux with IR on		Color: 0.008Lux@F1.8 B/W: 0Lux with IR on	Color: 0.009Lux@F1.55 B/W: 0Lux with IR on
WDR	120dB Super WDR			
Shutter Time	1/100000s~1s			
Digital Zoom	16X			
Day/Night Mode	Day/Night/Auto/Customize/Schedule			
S/N	>55dB			

LENS

Focal Length	5~117mm, 23X Optical Zoom	4.7~141mm, 30X Optical Zoom	7~300mm, 42X Optical Zoom	5.7~205.2mm, 36X Optical Zoom
Zoom Speed	Approx 5s (Wide-Tele)			
Field of View	H55°~H3°/D68°~D4°/V42°~V2°	H58°~H3°/D71°~D3°/V44°~V2°	H43°~H2°/D53°~D2°/V33°~V1°	H66°~H3°/D72°~D3°/V41°~V1°
Focus Control	Auto/Semi-Auto/Manual			
Minimum Working Distance	100/1500mm (Wide/Tele)	100/1500mm (Wide/Tele)	1200/1500mm (Wide/Tele)	1500/1500mm (Wide/Tele)
Aperture	F1.5~F3.5	F1.5~F4.0	F1.8~F6.5	F1.55~F4.8
Iris Control	Auto			

PTZ

Pan Range/Pan Speed	360°endless / Pan Manual Speed: 0.1°~180°/s, Pan Preset Speed: 240°/s
Tilt Range/Tilt Speed	0°~90°(Auto Flip) / Tilt Manual Speed: 0.5°~120°/s, Tilt Preset Speed: 200°/s
Proportional Zoom	Support
Preset Quantity	300
Patrol	8 Patrols, up to 48 presets each patrol
Pattern	4 Patterns
Auto Tracking	Support
Power Off Memory	Support
Other Function	Auto Scan, Auto Home, Preset Freezing, 3D Positioning, PTZ Limits, Initial Position

IR

IR Distance	Up to 200m	Up to 200m Up to 300m(Wiper Version)	Up to 300m
IR Angle	Auto/Manual		

VIDEO

Max. Image Resolution	1920x1080	
Primary Stream	60Hz: 30fps@(2592x1944), 45fps@(2048x1536), 60fps@(1920x1080, 1280x960, 1280x720, 704x576) 50Hz: 25fps@(2592x1944), 45fps@(2048x1536), 50fps@(1920x1080, 1280x960, 1280x720, 704x576)	60Hz: 30fps@(3840x2160, 3072x2048, 2592x1944, 2592x1520, 2048x1536, 1920x1080, 1280x960, 1280x720, 704x576) 50Hz: 25fps@(3840x2160, 3072x2048, 2592x1944, 2592x1520, 2048x1536, 1920x1080, 1280x960, 1280x720, 704x576)
Secondary Stream	60Hz: 30fps@(704x576, 640x480, 640x360, 352x288, 320x240, 320x192, 320x180) 50Hz: 25fps@(704x576, 640x480, 640x360, 352x288, 320x240, 320x192, 320x180)	
Tertiary Stream	60Hz: 30fps@(1920x1080, 1280x720, 704x576, 640x480, 640x360, 320x240, 320x192, 320x180) 50Hz: 25fps@(1920x1080, 1280x720, 704x576, 640x480, 640x360, 320x240, 320x192, 320x180)	

TECHNICAL SPECIFICATION

VIDEO

Video Compression	H.265+/H.265(HEVC)/H.264+/H.264/MJPEG
Video Bit Rate	16Kbps~16Mbps(CBR/VBR Adjustable)
Privacy Masking	Up to 28 areas(24 mask areas and 4 mosaic areas)
ROI	Up to 8 areas
Image Setting	Brightness/Contrast/Saturation/Sharpness

INTERFACE

Ethernet	1*RJ45 10M/100M Ethernet Port
Audio I/O	1/1
Alarm I/O	4/2
RS485	Support

NETWORK

Network Storage	NAS(Support NFS, SMB/CIFS), ANR(Automatic Network Replenishment)
Protocol	IPv4/IPv6, ARP, TCP, UDP, RTCP, RTP, RTSP, RTMP, HTTP, HTTPS, DNS, DDNS, DHCP, FTP, NTP, SMTP, SNMP, UPnP, Bonjour, SIP, PPPoE, VLAN, 802.1x, QoS, IGMP, ICMP, SSL

AUDIO

Audio Compression	G.711/AAC/G.722/G.726
Audio Sampling Rate	8/16/32/44.1/48KHz
Audio Bit Rate	16~256kbps
Two-way Audio	Support

INTELLIGENT ANALYTICS

Video Analysis	Region Entrance, Region Exiting, Advanced Motion Detection, Tamper Detection, Line Crossing, Loitering, Object Left, Object Removed
Face Detection	Detect and capture faces, get real-time snapshots
People Counting& Report	Count the number of people entering or exiting, up to 4 detection areas for regional people counting

SYSTEM

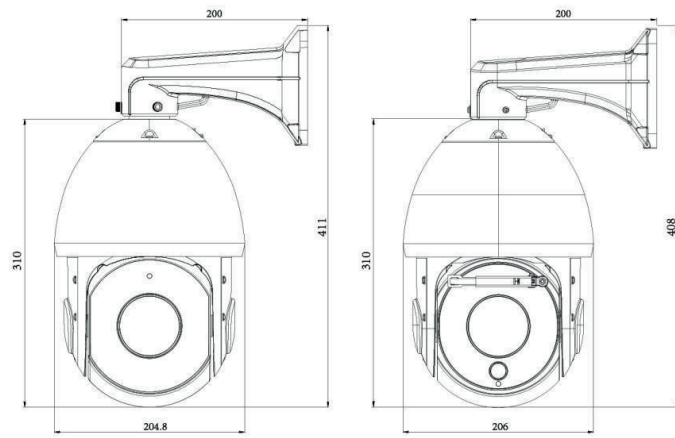
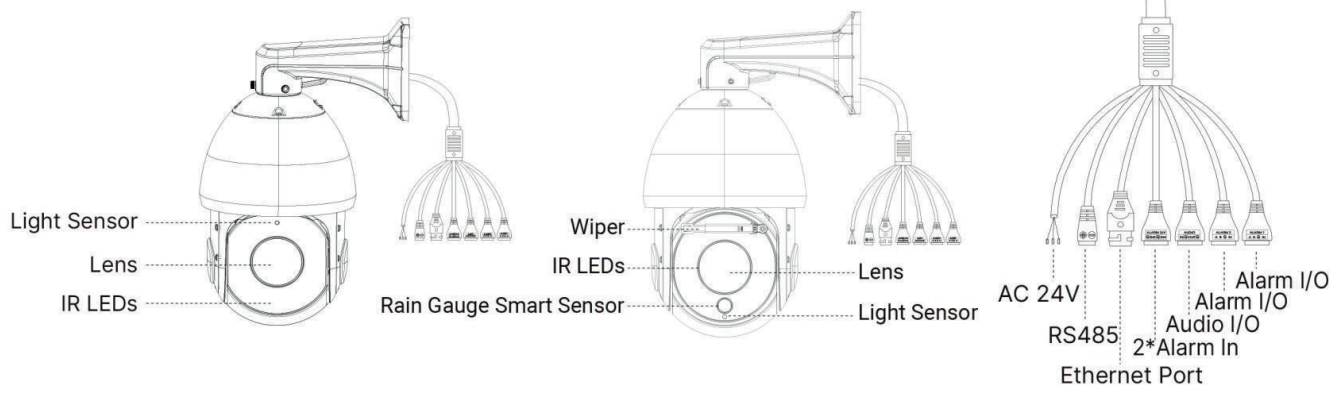
Storage	Support microSD/SDHC/SDXC Card Local Storage, up to 256Gb
Advanced Function	BLC, HLC, 2D DNR, 3D DNR, Defog, AWB, EIS, IP Address Filtering, AGC, Anti-flicker, Corridor Mode, Deblur, Watermark
SIP/VoIP Support	Yes, Voice & Video-over-IP
Event Trigger	Motion Detection, Network Disconnection, External Input, Audio Alarm, etc.
Event Action	FTP Upload, SMTP Upload, SD Card Record, External Output, SIP Phone, PTZ Motion, HTTP Notification, etc.
System Compatibility	ONVIF Profile G & Q & S & T, API

GENERAL

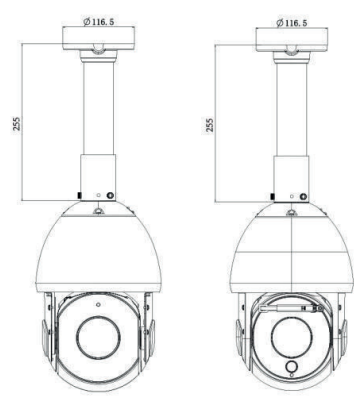
Working Condition	-40°C~60°C/ Humidity: 0~90%(Non-condensing)	
Power Supply	PoE (802.3at) / AC 24V/3A±10%	
Power Consumption	12W MAX / 25W MAX (With IR on)	13W MAX / 25W MAX (With IR on)
Weather Proof/Housing	Up to IP66-rated for Weather-resistant Performance / Vandal-proof IK10-rated Metal Housing(Optional)	
Heater	Support	
Wiper (Optional)	N.A	Support
Surge Protection	6KV	
Dimensions/Weight	Φ205mmX308mm/4Kg	
Warranty	2 Years / 3 Years (Optional)	

PRO SERIES ⚙️

STRUCTURE DIAGRAMS



Wall Mount



Ceiling Mount

Units: mm

ACCESSORIES

A41 Wall Mount(Default)
Weight: 400g
Dimensions: 200*129*100mm



A01 Pole Mount
Weight: 720g
Dimensions: 170*51.5*152.6mm



A03 External Corner Bracket
Weight: 900g
Dimensions: 170*152.5*76.3mm



A42 Pendant Mount
Weight: 650g
Dimensions: 116.5*255mm



A42-L Extension Lever
Weight: 325g
Dimension: 57*255mm



A43 Junction Box
Weight: 1000g
Dimensions: 195*164*80mm

