



PRO 

# AIOT 12x Enhance Bullet Network Camera

## 8MP Outdoor Bullet IP 5X AF IR 60m

### AI Video Analytics

- 8 intelligent VCA modes powered by AI engine, which can intelligently filter objects to focus on human and vehicle detection.
- People Counting technology provides high accuracy and real-time data based on AI algorithm with statistic reports.
- Face Detection function detects human faces in the monitoring scene and captures the snapshots, which greatly enhances the monitoring efficiency.

### Embedded IoT Technology

The embedded LPWAN technology, one of the fastest-growing IoT communication strategies, empowers wireless and relatively long-distance connection with lower power consumption. And now, the industry-leading IoT technology via LoRaWAN™ is applied in Milesight SG AIoT Camera.

### 3 in 1 Super WDR Pro & 0.002Lux Ultra Low-light

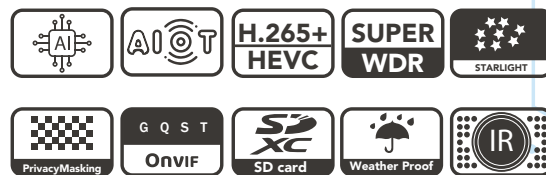
140dB Super WDR Pro combines 3 frames with multiple exposures to get the optimal images especially moving subjects in high contrast lighting situations. Meanwhile, cameras can capture full-color images in extremely low-light conditions reaching 0.002Lux without extra light supplement.

### 100fps

With the industry leading frame rate reaching 100fps, the cameras can easily catch images with no latency despite of the high-speed movement, which is the best choice for the demanding requirements especially for intelligent cameras.

### FEATURES

- Smart IR II Combining the High Beam and Low Beam to adjust IR intensity.
- Smart Stream saves on H.265+ 70%~80% bandwidth that of H.264.
- Integrated Cable Management
- HLC (High Light Compensation. Improving image visibility under strong light sources.)
- Defog (Defog technology. Restoring clear images in hazy and foggy weather.)



## TECHNICAL SPECIFICATION

### CAMERA

	MV-P285-EBC (2MP)
Image Sensor	1/2.8" Progressive Scan CMOS
Min. Illumination	Color: 0.002Lux@F1.2 Color: 0.005Lux@F1.6 B/W: 0Lux with IR on
WDR	140dB Super WDR (Super WDR Pro is optional for T Series)
Shutter Time	1/100000s~1s
IR Distance	Up to 180m
Day/Night Mode	Day/Night/Auto/Customize/Schedule
S/N	>55dB
Lens	5.3~64mm, 12X Optical Zoom
Field of View	H61°~H5°/D69°~D5°/V36°~V2°
Mount	Ø14
Focus Control	Auto/Manual
Aperture	F1.6~F2.8
Iris Control	Auto

### VIDEO

Max. Image Resolution	1920x1080
Primary Stream	60Hz: 100fps@(1920x1080)(Optional for T Series), 60fps@(1920x1080, 1280x960, 1280x720, 704x576) 50Hz: 100fps@(1920x1080)(Optional for T Series), 50fps@(1920x1080, 1280x960, 1280x720, 704x576)
Secondary Stream	60Hz: 60fps@(704x576, 640x480, 640x360, 352x288, 320x240, 320x192, 320x180) 50Hz: 50fps@(704x576, 640x480, 640x360, 352x288, 320x240, 320x192, 320x180)
Tertiary Stream	60Hz: 30fps@(1920x1080, 1280x720, 704x576, 640x480, 640x360, 320x240, 320x192, 320x180) 50Hz: 25fps@(1920x1080, 1280x720, 704x576, 640x480, 640x360, 320x240, 320x192, 320x180)
Video Compression	H.265+/H.265(HEVC)/H.264+/H.264/MJPEG
Video Bit Rate	16Kbps~16Mbps(CBR/VBR Adjustable)
Privacy Masking	Up to 28 areas(24 mask areas and 4 mosaic areas)
ROI	Up to 8 areas
Image Setting	Brightness/Contrast/Saturation/Sharpness

### INTERFACE

Ethernet	1*RJ45 10M/100M Ethernet Port
Audio I/O	1/1
Alarm I/O	1/1

### LoRaWAN®

Antenna	1*50ΩSMA-Female External Antenna Connector
Channel	8 channels simultaneously
Demodulation	1Mhz
Frequency Band	CN470/IN865/EU868/RU864/US915/AU915/KR920/AS923/AS923-2
Sensitivity	-140dBm Sensitivity @292bps

## TECHNICAL SPECIFICATION

### LoRaWAN®

	MV-P285-EBC
Output Power	27dBm Max
Protocol	V1.0 Class A/Class B/Class C and V1.0.2 Class A/Class B/Class C
Communication Range	Up to 15km

### NETWORK

Network Storage	NAS(Support NFS, SMB/CIFS), ANR (Automatic Network Replenishment)
Protocol	IPv4/IPv6, ARP, TCP, UDP, RTCP, RTP, RTSP, RTMP, HTTP, HTTPS, DNS, DDNS, DHCP, FTP, NTP, SMTP, SNMP, UPnP, Bonjour, SIP, PPPoE, VLAN, 802.1x, QoS, IGMP, ICMP, SSL

### SYSTEM

Audio Compression	G.711/AAC/G.722/G.726
Audio Sampling Rate	8/16/32/44.1/48KHz
Audio Bit Rate	16~256kbps
Two-way Audio	Support

### INTELLIGENT ANALYTICS

Video Analysis	Region Entrance, Region Exiting, Advanced Motion Detection, Tamper Detection, Line Crossing, Loitering, Object Left, Object Removed
Face Detection	Detect and capture faces, get real-time snapshots
People Counting& Report	Count the number of people entering or exiting, up to 4 detection areas for regional people counting

### SYSTEM

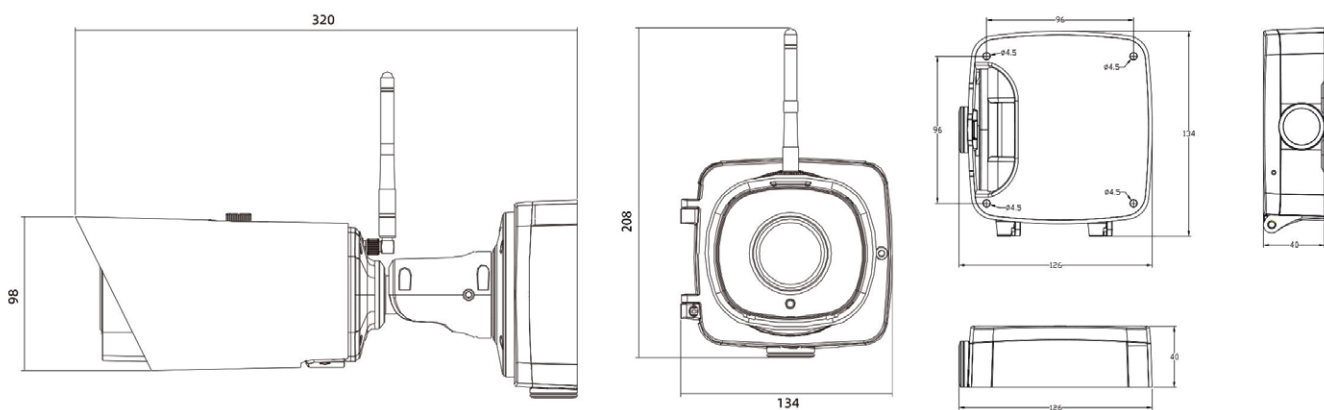
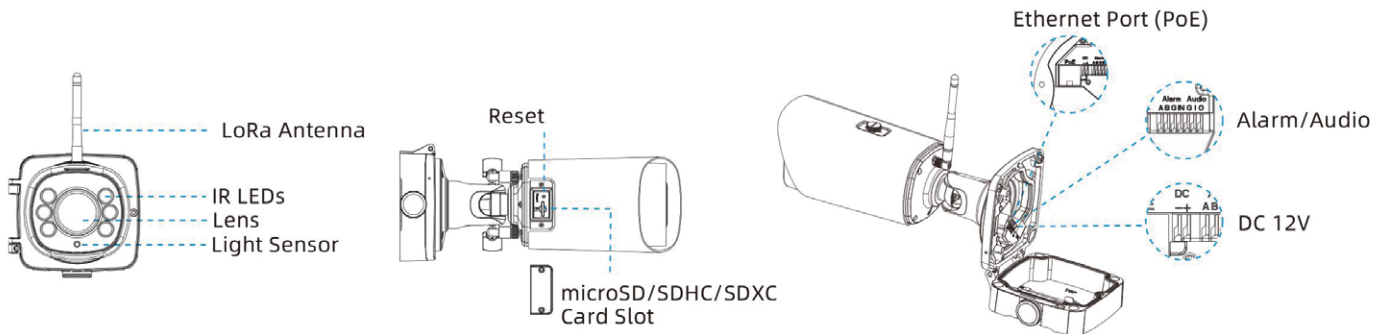
Storage	Support microSD/SDHC/SDXC Card Local Storage, up to 256Gb
Advanced Function	Heat Map, BLC, HLC, 2D DNR, 3D DNR, Defog, AWB, EIS, IP Address Filtering, AGC, Anti-flicker, Corridor Mode, Deblur, Watermark
SIP/VoIP Support	Yes, Voice & Video-over-IP
Event Trigger	Motion Detection, Network Disconnection, Audio Alarm, External Input, etc.
Event Action	FTP Upload, SMTP Upload, SD Card Record, External Output, SIP Phone, HTTP Notification, etc.
System Compatibility	ONVIF Profile G & Q & S & T, API

### GENERAL

Working Temperature	-40°C~60°C
Working Humidity	0~90%(Non-condensing)
Power Supply	PoE (802.3at) / DC 12V±10%
Power Consumption	9W MAX 15W MAX (With IR on)
Surge Protection	4KV
Weather Proof	Up to IP67-rated for Weather-resistant Performance (Only for camera body)
Weight	1521g
Dimensions	320mmX134mmX126mm 320mmX134mmX208mm (With Antennas)
Warranty	3/5 Years

**PRO SERIES** ⚙️

**STRUCTURE DIAGRAMS**



**ACCESSORIES**

Units: mm

A01 Pole Mount

Weight: 720g  
Dimensions: 170\*51.5\*152.6mm



A03 External Corner Bracket

Weight: 900g  
Dimensions: 170\*152.5\*76.3mm



A62 Junction Box

Weight: 510g  
Dimensions: 134\*126\*40mm

