



**PRO** 

# 5G AIoT 4X/12X ultra Bullet Enhance Camera

**8MP Outdoor Bullet IP 5X AF IR 60m**

## AI Video Analytics

- 8 intelligent VCA modes powered by AI engine, which can intelligently filter objects to focus on human and vehicle detection.
- People Counting technology provides high accuracy and real-time data based on AI algorithm with statistic reports.
- Face Detection function detects human faces in the monitoring scene and captures the snapshots, which greatly enhances the monitoring efficiency.

## 5G Technology

Camera responsiveness and real-time monitoring can be greatly enhanced by the larger bandwidth and lower latency of 5G networks, not to mention a leap in ultra-high-definition video or images. The 5G camera comes with its 5G cellular module, which is fit for some scenarios where wiring is inconvenient, and its higher performance of mobility, security and coverage also bring new opportunities for the industry.

## Embedded IoT Technology

The embedded LPWAN technology, one of the fastest-growing IoT communication strategies, empowers wireless and relatively long-distance connection with lower power consumption. And now, the industry-leading IoT technology via LoRaWAN® is applied in Milesight 5G AIoT Camera.

## 30fps@4K

Providing 4K HD resolution with frame rate of 30fps, the camera performs well in catching detailed image regardless of the moving speed.

## FEATURES

- Smart IR II Combining the High Beam and Low Beam to adjust IR intensity.
- Smart Stream saves on H.265+ 70%~80% bandwidth that of H.264.
- P2P (Remotely access using 5G network via P2P with hassle-free setup and easy connection.)
- HLC (High Light Compensation. Improving image visibility under strong light sources.)
- Defog (Defog technology. Restoring clear images in hazy and foggy weather.)



**PRO SERIES**


## TECHNICAL SPECIFICATION

### CAMERA

	MV-P282-UBEC (2MP)	MV-P185-UBEC (4K)
Image Sensor	1/2.8" Progressive Scan CMOS	1/1.8" Progressive Scan CMOS
Min. Illumination	Color: 0.002Lux@F1.2 Color: 0.005Lux@F1.6 B/W: 0Lux with IR on	Color: 0.006Lux@F1.2 Color: 0.009Lux@F1.6 B/W: 0Lux with IR on
WDR	140dB Super WDR (Super WDR Pro is optional for T Series)	120dB Super WDR
Shutter Time	1/100000s~1s	
IR Distance	Up to 180m	
Day/Night Mode	Day/Night/Auto/Customize/Schedule	
S/N	>55dB	
Lens	5.3~64mm, 12X Optical Zoom	8~32mm, 4X Optical Zoom
Field of View	H61°~H5°/D69°~D5°/V36°~V2°	H44°~H13°/D51°~D15°/V25°~V7°
Mount	Ø14	
Aperture	F1.6~F2.8	F1.6-F1.7
Focus Control	Auto/Manual	
Iris Control	Auto/Manual	

### VIDEO

	1920x1080	3840x2160
Max. Image Resolution	1920x1080	3840x2160
Primary Stream	60Hz: 100fps@(1920x1080)(Optional for T Series), 60fps@(1920x1080, 1280x960, 1280x720, 704x576) 50Hz: 100fps@(1920x1080)(Optional for T Series), 50fps@(1920x1080, 1280x960, 1280x720, 704x576)	60Hz: 30fps@(3840x2160, 3072x2048, 2592x1944, 2592x1520, 2048x1536, 1920x1080, 1280x960, 1280x720, 704x576) 50Hz: 25fps@(3840x2160, 3072x2048, 2592x1944, 2592x1520, 2048x1536, 1920x1080, 1280x960, 1280x720, 704x576)
Secondary Stream	60Hz: 60fps@(704x576, 640x480, 640x360, 352x288, 320x240, 320x192, 320x180) 50Hz: 50fps@(704x576, 640x480, 640x360, 352x288, 320x240, 320x192, 320x180)	60Hz: 30fps@(704x576, 640x480, 640x360, 352x288, 320x240, 320x192, 320x180) 50Hz: 25fps@(704x576, 640x480, 640x360, 352x288, 320x240, 320x192, 320x180)
Tertiary Stream	60Hz: 30fps@(1920x1080, 1280x720, 704x576, 640x480, 640x360, 320x240, 320x192, 320x180) 50Hz: 25fps@(1920x1080, 1280x720, 704x576, 640x480, 640x360, 320x240, 320x192, 320x180)	
Video Compression	H.265+/H.265(HEVC)/H.264+/H.264/MJPEG	
Video Bit Rate	16Kbps~16Mbps(CBR/VBR Adjustable)	
Privacy Masking	Up to 28 areas(24 mask areas and 4 mosaic areas)	
ROI	Up to 8 areas	
Image Setting	Brightness/Contrast/Saturation/Sharpness	

### INTERFACE

Ethernet	1*RJ45 10M/100M Ethernet Port
Audio I/O	1/1
Alarm I/O	1/1

### NETWORK

Network Storage	NAS(Support NFS, SMB/CIFS), ANR(Automatic Network Replenishment)
Protocol	IPv4/IPv6, ARP, TCP, UDP, RTCP, RTP, RTSP, RTMP, HTTP, HTTPS, DNS, DDNS, DHCP, FTP, NTP, SMTP, SNMP, UPnP, Bonjour, SIP, PPPoE, VLAN, 802.1x, QoS, IGMP, ICMP, SSL

# TECHNICAL SPECIFICATION

## Mobile Communication Parameter

		MV-P282-UBEC (2MP)	MV-P185-UBEC (4K)
Frequency Bands	5G NR	n1/n2/n3/n5/n7/n8/n12/n20/n28/n41/n66/n71/n77/n78/n79	
	LTE-FDD	B1/B2/B3/B4/B5/B7/B8/B9/B12/B13/B14/B17/B18/B19/B20/B21(TBD)/ B25/B26/B28/B29/B30/B32/B66/B71	
	LTE-TDD	B34/B38/39/B40/B41/B42/B48	
	LAA	B46	
	WCDMA	B1/B2/B3/B4/B5/B6/B8/B19	
	GNSS	GPS/GLONASS/BeiDou/Galileo	
Wireless Transmission Speed	SA	DL 3.3Gbps; UL 250Mbps	
	NSA	DL 3.4Gbps; UL 200Mbps	
	LTE	DL 2.0Gbps; UL 150Mbps	
	WCDMA	DL 42Mbps; UL 5.76Mbps	
SIM Card		Nano SIM	

## LoRaWAN®

Antenna	1*50ΩSMA-Female External Antenna Connector
Channel	8 channels simultaneously
Demodulation	1Mhz
Frequency Band	CN470/IN865/EU868/RU864/US915/AU915/KR920/AS923/AS923-2
Sensitivity	-140dBm Sensitivity @292bps
Output Power	27dBm Max
Protocol	V1.0 Class A/Class B/Class C and V1.0.2 Class A/Class B/Class C
Communication Range	Up to 15km

## AUDIO

Audio Compression	G.711/AAC/G.722/G.726
Audio Sampling Rate	8/16/32/44.1/48KHz
Audio Bit Rate	16~256kbps
Two-way Audio	Support

## INTELLIGENT ANALYTICS

Video Analysis	Region Entrance, Region Exiting, Advanced Motion Detection, Tamper Detection, Line Crossing, Loitering, Object Left, Object Removed
Face Detection	Detect and capture faces, get real-time snapshots
People Counting& Report	Count the number of people entering or exiting, up to 4 detection areas for regional people counting

## SYSTEM

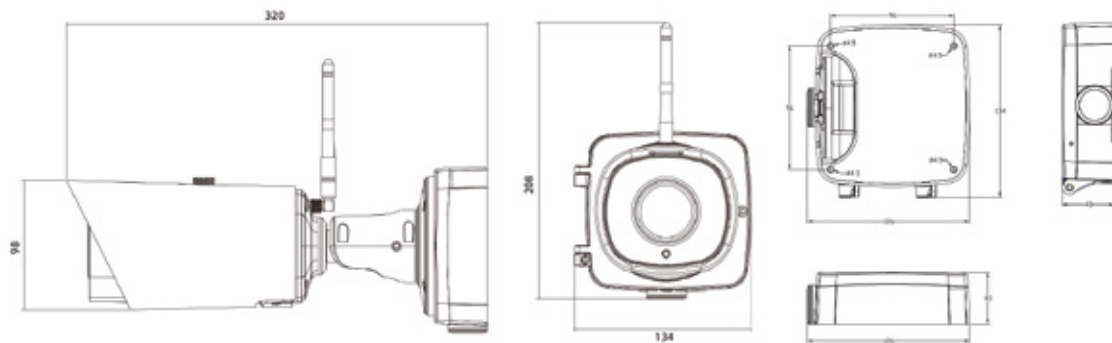
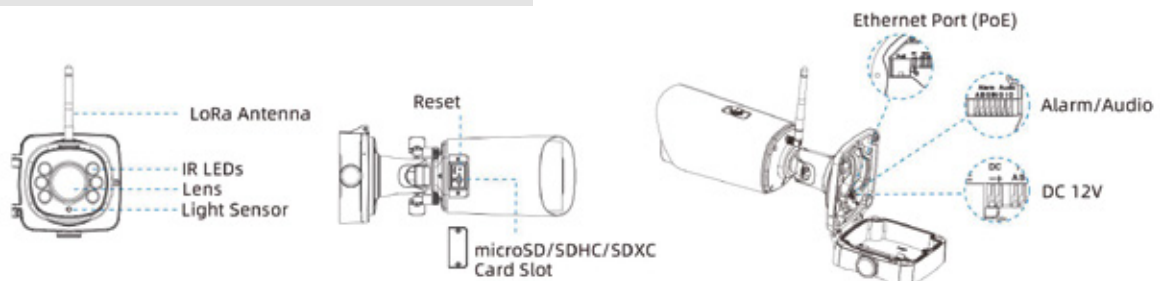
Storage	Support microSD/SDHC/SDXC Card Local Storage, up to 256Gb
Advanced Function	Heat Map, BLC, HLC, 2D DNR, 3D DNR,Defog, AWB, EIS, IP Address Filtering, AGC, Anti-flicker, Corridor Mode, Deblur,Watermark
SIP/VoIP Support	Yes, Voice & Video-over-IP
Event Trigger	IoT Sensor Alarm, Motion Detection, Network Disconnection, External Input, Audio Alarm, etc.
Event Action	FTP Upload, SMTP Upload, SD Card Record, External Output, SIP Phone, HTTP Notification, etc.
System Compatibility	ONVIF Profile G & Q & S & T, API

## PRO SERIES

### GENERAL

Working Temperature	-40°C~60°C	
Working Humidity	0~90%(Non-condensing)	
Power Supply	PoE (802.3at) / DC 12V±10%	
Power Consumption	10W MAX / 16W MAX (With IR on)	12W MAX / 18W MAX (With IR on)
Surge Protection	4KV	
Weather Proof	Up to IP67-rated for Weather-resistant Performance (Only for camera body)	
Weight	1636g	
Dimensions	320mmX134mmX126mm , 320mmX134mmX292mm (With Antennas)	
Warranty	3/5 Years	

## STRUCTURE DIAGRAMS



Units: mm

## ACCESSORIES

A01 Pole Mount

Weight: 720g  
Dimensions: 170\*51.5\*152.6mm



A03 External Corner Bracket

Weight: 900g  
Dimensions: 170\*152.5\*76.3mm



A62 Junction Box

Weight: 510g  
Dimensions: 134\*126\*40mm

