



PRO 

5G AI Motorized ultra Bullet Network Camera

8MP Outdoor Bullet IP 5X AF IR 60m

AI Video Analytics

- 8 intelligent VCA modes powered by AI engine, which can intelligently filter objects to focus on human and vehicle detection.
- People Counting technology provides high accuracy and real-time data based on AI algorithm with statistic reports.
- Face Detection function detects human faces in the monitoring scene and captures the snapshots, which greatly enhances the monitoring efficiency.

5G Technology

Camera responsiveness and real-time monitoring can be greatly enhanced by the larger bandwidth and lower latency of 5G networks, not to mention a leap in ultra-high-definition video or images. The 5G camera comes with its 5G cellular module, which is fit for some scenarios where wiring is inconvenient, and its higher performance of mobility, security and coverage also bring new opportunities for the industry.

Easy Deployment and Compact Structure

5G antenna is built outside the camera and the 5G module is directly merged inside the camera. By inserting the SIM card, you can monitor in places where network wiring is not convenient. Versatile interface and integrated junction box ensure installation neat and tidy.

30fps@4K

Providing 4K HD resolution with frame rate of 30fps, the camera performs well in catching detailed image regardless of the moving speed.

FEATURES

- Smart IR II Combining the High Beam and Low Beam to adjust IR intensity.
- Smart Stream saves on H.265+ 70%~80% bandwidth that of H.264.
- P2P (Remotely access using 5G network via P2P with hassle-free setup and easy connection.)
- HLC (High Light Compensation. Improving image visibility under strong light sources.)
- Defog (Defog technology. Restoring clear images in hazy and foggy weather.)



PRO SERIES


TECHNICAL SPECIFICATION

CAMERA

	MV-P5282-5GMB (2MP)	MV-P5285-5GMB (5MP)	MV-P188-5GMB (4K)
Image Sensor	1/2.8" Progressive Scan CMOS		1/1.8" Progressive Scan CMOS
Min. Illumination	Color: 0.002Lux@F1.2 Color: 0.005Lux@F1.4 B/W: 0Lux with IR on	Color: 0.005Lux@F1.2 Color: 0.008Lux@F1.4 B/W: 0Lux with IR on	Color: 0.006Lux@F1.2 Color: 0.009Lux@F1.4 B/W: 0Lux with IR on
WDR	140dB Super WDR	120dB Super WDR	
Shutter Time	1/100000s~1s		
IR Distance	Up to 65m(2.7~13.5mm)	Up to 100m(7~22mm)	Up to 65m
Day/Night Mode	Day/Night/Auto/Customize/Schedule		
S/N	>55dB		

LENS

	Motorized 2.7~13.5mm/7~22mm@F1.4 P-Iris(Optional)		Motorized 3.6~10mm@F1.4 P-Iris(Optional)
Field of View	H113°~H33°/D130°~D38°/V60°~V18° 2.7~13.5mm) H45°~H17°/D53°~D20°/V25°~V9° (7~22mm)	H113°~H33°/D138°~D42°/V83°~V25° (2.7~13.5mm) H42°~H16°/D53°~D20°/V32°~V12° (7~22mm)	H116°~H48°/D134°~D55°/V65°~V27°
Mount	Ø14		
Focus Control	Auto/Manual		
Iris Control (Optional for I Series)	Auto/Manual		

VIDEO

	1920x1080	2592x1944	3840x2160
Max. Image Resolution			
Primary Stream	60Hz: 60fps@(1920x1080, 1280x960, 1280x720, 704x576) 50Hz: 50fps@(1920x1080, 1280x960, 1280x720, 704x576)	60Hz: 30fps@(2592x1944), 45fps@(2048x1536), 60fps@(1920x1080, 1280x960, 1280x720, 704x576) 50Hz: 25fps@(2592x1944), 45fps@(2048x1536), 50fps@(1920x1080, 1280x960, 1280x720, 704x576)	60Hz: 30fps@(3840x2160, 3072x2048, 2592x1944, 2592x1520, 2048x1536, 1920x1080, 1280x960, 1280x720, 704x576) 50Hz: 25fps@(3840x2160, 3072x2048, 2592x1944, 2592x1520, 2048x1536, 1920x1080, 1280x960, 1280x720, 704x576)
Secondary Stream	60Hz: 60fps@(704x576, 640x480, 640x360, 352x288, 320x240, 320x192, 320x180) 50Hz: 50fps@(704x576, 640x480, 640x360, 352x288, 320x240, 320x192, 320x180)	60Hz: 30fps@(704x576, 640x480, 640x360, 352x288, 320x240, 320x192, 320x180) 50Hz: 25fps@(704x576, 640x480, 640x360, 352x288, 320x240, 320x192, 320x180)	
Tertiary Stream	60Hz: 30fps@(1920x1080, 1280x720, 704x576, 640x480, 640x360, 320x240, 320x192, 320x180) 50Hz: 25fps@(1920x1080, 1280x720, 704x576, 640x480, 640x360, 320x240, 320x192, 320x180)		
Video Compression	H.265+/H.265(HEVC)/H.264+/H.264/MJPEG		
Video Bit Rate	16Kbps~16Mbps(CBR/VBR Adjustable)		
Privacy Masking	Up to 28 areas(24 mask areas and 4 mosaic areas)		
ROI	Up to 8 areas		
Image Setting	Brightness/Contrast/Saturation/Sharpness		

INTERFACE

Ethernet	1*RJ45 10M/100M Ethernet Port
Audio I/O	1/1
Alarm I/O	1/1

NETWORK

Network Storage	NAS(Support NFS, SMB/CIFS), ANR(Automatic Network Replenishment)
Protocol	IPv4/IPv6, ARP, TCP, UDP, RTCP, RTP, RTSP, RTMP, HTTP, HTTPS, DNS, DDNS, DHCP, FTP, NTP, SMTP, SNMP, UPnP, Bonjour, SIP, PPPoE, VLAN, 802.1x, QoS, IGMP, ICMP, SSL

TECHNICAL SPECIFICATION

Mobile Communication Parameter

		MV-P5282-5GMB (2MP)	MV-P5285-5GMB (5MP)	MV-P188-5GMB (4K)
Frequency Bands	5G NR	n1/n2/n3/n5/n7/n8/n12/n20/n28/n41/n66/n71/n77/n78/n79		
	LTE-FDD	B1/B2/B3/B4/B5/B7/B8/B9/B12/B13/B14/B17/B18/B19/B20/B21(TBD)/ B25/B26/B28/B29/B30/B32/B66/B71		
	LTE-TDD	B34/B38/39/B40/B41/B42/B48		
	LAA	B46		
	WCDMA	B1/B2/B3/B4/B5/B6/B8/B19		
Wireless Transmission Speed	SA	DL 3.3Gbps; UL 250Mbps		
	NSA	DL 3.4Gbps; UL 200Mbps		
	LTE	DL 2.0Gbps; UL 150Mbps		
	WCDMA	DL 42Mbps; UL 5.76Mbps		
SIM Card		Nano SIM		

AUDIO

Audio Compression	G.711/AAC/G.722/G.726
Audio Sampling Rate	8/16/32/44.1/48KHz
Audio Bit Rate	16~256kbps
Two-way Audio	Support

INTELLIGENT ANALYTICS

Video Analysis	Region Entrance, Region Exiting, Advanced Motion Detection, Tamper Detection, Line Crossing, Loitering, Object Left, Object Removed
Face Detection	Detect and capture faces, get real-time snapshots
People Counting& Report	Count the number of people entering or exiting, up to 4 detection areas for regional people counting

SYSTEM

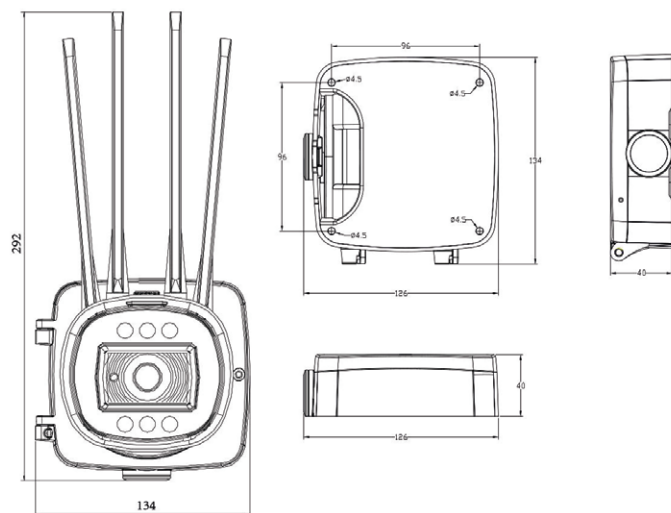
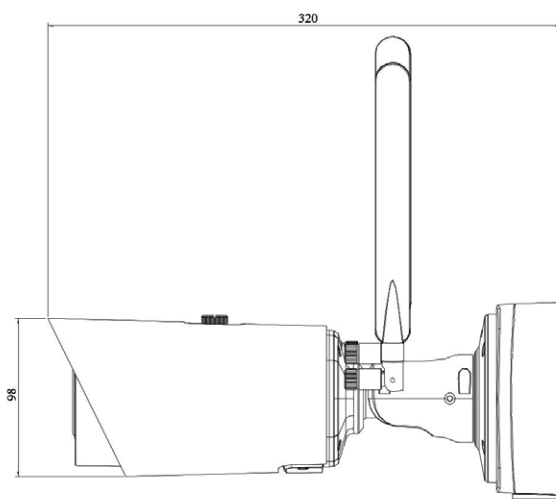
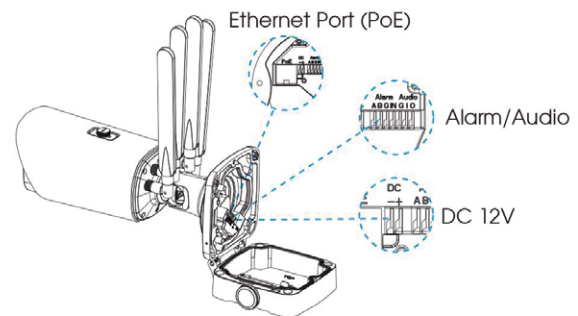
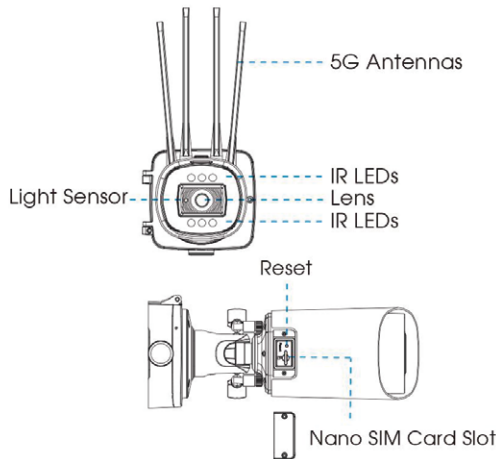
Storage	Support microSD/SDHC/SDXC Card Local Storage, up to 256Gb
Advanced Function	Heat Map, BLC, HLC, 2D DNR, 3D DNR, Defog, AWB, EIS, IP Address Filtering, AGC, Anti-flicker, Corridor Mode, Deblur, Watermark
SIP/VoIP Support	Yes, Voice & Video-over-IP
Event Trigger	Motion Detection, Network Disconnection, External Input, Audio Alarm, etc.
Event Action	FTP Upload, SMTP Upload, SD Card Record, External Output, SIP Phone, HTTP Notification, etc.
System Compatibility	ONVIF Profile G & Q & S & T, API

GENERAL

Working Temperature	-40°C~60°C
Working Humidity	0~90%(Non-condensing)
Power Supply	PoE (802.3at) / DC 12V±10%
Power Consumption	9W MAX / 14W MAX (With IR on) 10W MAX / 15W MAX (With IR on) 10W MAX / 18W MAX (With IR on)
Surge Protection	4KV
Weather Proof	Up to IP67-rated for Weather-resistant Performance (Only for camera body)
Weight	1650g
Dimensions	320mmX134mmX126mm 320mmX134mmX208mm (With Antennas)
Warranty	3/5 Years

PRO SERIES ⚙️

STRUCTURE DIAGRAMS



Units: mm

ACCESSORIES

A01 Pole Mount

Weight: 720g
Dimensions: 170*51.5*152.6mm



A03 External Corner Bracket

Weight: 900g
Dimensions: 170*152.5*76.3mm



A62 Junction Box

Weight: 510g
Dimensions: 134*126*40mm



ACCESSORIES