



PRO 

## Weather Proof Lite Dome FEATURES

### 2MP/5MP Fixed Dome Weather Proof Lite Network camera

#### Video Content Analysis

Microview VCA with 10 detection modes provides advanced, accurate smart video analysis for Microview network cameras, enabling the comprehensive surveillance function and quicker response to different monitoring scenes.

#### 140dB Super WDR

Microview's sensor-based WDR technology allows the camera to record greater scene details with true color reproduction even under the extreme back light and high contrast conditions. The ratio that the brightest light signal values divided by the darkest light signal values is up to 140dB.

#### 0.002Lux Ultra Low-light

The starlight camera is able to deliver high detailed color images even in low light environment reaching 0.002Lux(Color) or 0lux(B/W), and near infrared light environments without any supplementary lighting.

#### IP67&IK10

Supporting IP67-rated weather proofing and IK10-rated vandal proof which are the leading level of the industry, the camera is well protected against adverse impact to ensure the performance.

- SIP (Session Initiation Protocol).
- Advanced Functions HLC, Defog, ROI.
- Built-in Microphone
- Advanced Functions i.e HLC, Defog, ROI.
- Smart Stream saves 70%~80% bandwidth that of H.264.



**PRO SERIES**


# TECHNICAL SPECIFICATION

**CAMERA**

	MV-P228-WPD (2MP)	MV-P528-WPD (5MP)
Image Sensor	1/2.8" Progressive Scan CMOS	
Min. Illumination	Color: 0.002Lux@F1.2 Color: 0.005Lux@F1.6 B/W: 0Lux with IR on	Color: 0.005Lux@F1.2 Color: 0.008Lux@F1.6 B/W: 0Lux with IR on
WDR	140dB Super WDR	120dB Super WDR
Lens	2.8mm/4mm/6mm@F1.6	
Mount	M12	
Field of View	H111°/D128°/V61°(2.8mm) H91°/D106°/V50°(4mm) H55°/D63°/V32°(6mm)	H105°/D131°/V78°(2.8mm) H86°/D108°/V63°(4mm) H52°/D63°/V40°(6mm)
Shutter Time	1/100000s~1s	
IR Distance	Up to 25m	
Day/Night Mode	Day/Night/Auto/Customize/Schedule	
S/N	>55dB	

**VIDEO**

	1920x1080	2592x1944
Max. Image Resolution		
Primary Stream	60Hz: 60fps@(1920x1080, 1280x960, 1280x720, 704x576) 50Hz: 50fps@(1920x1080, 1280x960, 1280x720, 704x576)	60Hz: 30fps@(2592x1944), 45fps@(2048x1536),60fps@(1920x1080, 1280x960, 1280x720, 704x576) 50Hz: 25fps@(2592x1944), 45fps@(2048x1536),50fps@(1920x1080, 1280x960, 1280x720, 704x576)
Secondary Stream	60Hz: 60fps@(704x576, 640x480, 640x360, 352x288, 320x240, 320x192, 320x180) 50Hz: 50fps@(704x576, 640x480, 640x360, 352x288, 320x240, 320x192, 320x180)	60Hz: 30fps@(704x576, 640x480, 640x360, 352x288, 320x240, 320x192, 320x180) 50Hz: 25fps@(704x576, 640x480, 640x360, 352x288, 320x240, 320x192, 320x180)
Tertiary Stream	60Hz: 30fps@(1920x1080, 1280x720, 704x576, 640x480, 640x360, 320x240, 320x192, 320x180) 50Hz: 25fps@(1920x1080, 1280x720, 704x576, 640x480, 640x360, 320x240, 320x192, 320x180)	
Video Compression	H.265+/H.265(HEVC)/H.264+/H.264/MJPEG	
Video Bit Rate	16Kbps~16Mbps(CBR/VBR Adjustable)	
Privacy Masking	Up to 28 areas(24 mask areas and 4 mosaic areas)	
ROI	Up to 8 areas	
Image Setting	Brightness/Contrast/Saturation/Sharpness	

**INTERFACE**

Ethernet	1*RJ45 10M/100M Ethernet Port
Audio Interface	Built-in Microphone

## TECHNICAL SPECIFICATION

### NETWORK

	MV-P228-WPD (2MP)	MV-P528-WPD (5MP)
Network Storage	NAS(Support NFS, SMB/CIFS), ANR	
Protocol	IPv4/IPv6, ARP, TCP, UDP, RTCP, RTP, RTSP, RTMP, HTTP, HTTPS, DNS, DDNS, DHCP, FTP, NTP, SMTP, SNMP, UPnP, Bonjour, SIP, PPPoE, VLAN, 802.1x, QoS, IGMP, ICMP, SSL	

### AUDIO

Audio Compression	G.711/AAC/G.722/G.726
Audio Sampling Rate	8/16/32/44.1/48KHz
Audio Bit Rate	16~256kbps
Two-way Audio	N/A

### INTELLIGENT ANALYTICS

Video Analysis	Region Entrance, Region Exiting, Advanced Motion Detection, Tamper Detection, Line Crossing, Loitering, Object Left, Object Removed
Face Detection	Detect and capture faces, get real-time snapshots
People Counting& Report	Count the number of people entering or exiting, up to 4 detection areas for regional people counting

### SYSTEM

Storage	Support microSD/SDHC/SDXC Card Local Storage, up to 256GB
Advanced Function	
SIP/VoIP Support	Yes, Voice & Video-over-IP
Event Trigger	Motion Detection, Network Disconnection, Audio Alarm, etc.
Event Action	FTP Upload, SMTP Upload, SD Card Record, SIP Phone, HTTP Notification, etc.
System Compatibility	ONVIF Profile G & Q & S & T, API

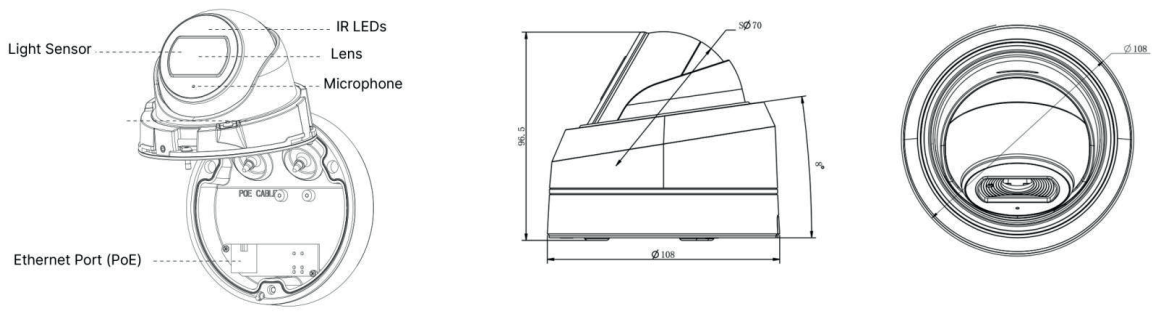
### GENERAL

Working Temperature	-40°C~60°C	
Working Humidity	0~90%(Non-condensing)	
Power Supply	PoE (802.3af)	
Power Consumption	5W MAX 6W MAX (With IR on)	5W MAX 7W MAX (With IR on)
Housing	Vandal-proof IK10-rated Metal Housing / Up to IP67-rated for Weather-resistant Performance	
Weight	600g (Junction Box Version) / 410g (Cable Out Version)	
Dimensions	Φ108mmX96.5mm (Junction Box Version) / Φ106mmX76.5mm (Cable Out Version)	
Warranty	3/5 Years	

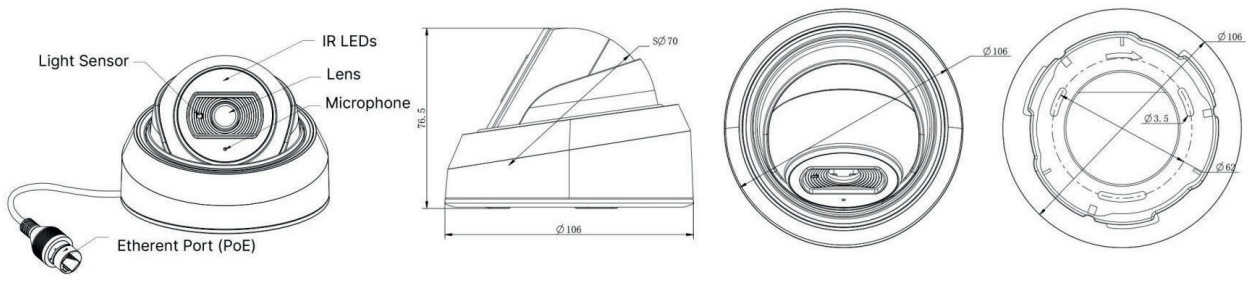
**PRO SERIES** ⚙️

**STRUCTURE DIAGRAMS**

Junction Box Version



Cable Out Version



Units: mm

**ACCESSORIES**

A01 Pole Mount

Weight: 720g  
Dimensions: 170\*51.5\*152.6mm



A03 External Corner Bracket

Weight: 900g  
Dimensions: 170\*152.5\*76.3mm



A71 Wall Mount

Weight: 530g  
Dimensions: 162\*124\*78 mm



A81 Recessed Mount

Weight: 450g  
Dimensions: 168.9\*168.9\*91.3mm



A83 Junction Box

Weight: 270g  
Dimensions: φ122\*45.5mm

