



PRO 

IR Lite Bullet

2MP/5MP/8MP IR Lite Bullet Network Camera

IP67&IK10

Supporting IP67-rated weather proofing and IK10-rated vandal proof which are the leading level of the industry, the camera is well protected against adverse impact to ensure the performance .

0.002Lux Ultra Low-light

The starlight camera is able to deliver high detailed color images even in low light environment reaching 0.002Lux(Color) or 0Lux(B/W), and near infrared light environments without any supplementary lighting.

140dB Super WDR

Sensor-based WDR technology allows the camera to record greater scene details with true color reproduction even under the extreme back light and high contrast conditions. The ratio that the brightest light signal values divided by the darkest light signal values is up to 140dB.

30fps@4K

Providing 4K HD resolution with frame rate of 30fps, the camera performs well in catching detailed image regardless of the moving speed.

FEATURES

- Powerful IR LEDs
- Advanced Functions HLC, Defog, ROI.
- Adjustable 3-Axis Bracket
- microSD/SDHC/SDXC card storage up to 256GB.
- Smart Stream saves on H.265+ 70%~80% bandwidth that of H.264.



PRO SERIES 

TECHNICAL SPECIFICATION

CAMERA

	MV-P229-ILB (2MP)	MV-P529-ILB (5MP)	MV-P829-ILB (4K)
Image Sensor	1/2.8" Progressive Scan CMOS		
Min. Illumination	Color: 0.002Lux@F1.2 Color: 0.005Lux@F1.6/F2.0 B/W: 0Lux with IR on	Color: 0.005Lux@F1.2 Color: 0.008Lux@F1.6/F2.0 B/W: 0Lux with IR on	Color: 0.01Lux@F1.2 Color: 0.012Lux@F1.6/F2.0 B/W: 0Lux with IR on
WDR	140dB Super WDR	120dB Super WDR	
Lens	4mm/2.8mm/6mm @F1.6		
Mount	M12		
Field of View	H91°/D106°/V50°(4mm) H111°/D128°/V61°(2.8mm) H55°/D63°/V32°(6mm)	H86°/D108°/V63°(4mm) H105°/D131°/V78°(2.8mm) H52°/D63°/V40°(6mm)	H91°/D106°/V50°(4mm) H110°/D126°/V60°(2.8mm) H55°/D63°/V32°(6mm)
Shutter Time	1/1000000s~1s		
IR Distance	Up to 50m		
Day/Night Mode	Day/Night/Auto/Customize/Schedule		
S/N	>55dB		

VIDEO

	1920x1080	2592x1944	3840x2160
Max. Image Resolution	1920x1080	2592x1944	3840x2160
Primary Stream	60fps (1920x1080), 30fps (1920x1080, 1280x960, 1280x720, 704x576)	30fps@(2592x1944), 45fps@(2048x1536), 60fps@(1920x1080), 20fps@(2592x1944), 30fps@(2048x1536, 1920x1080, 1280x960, 1280x720, 704x576)	30fps@(3840x2160), 15fps@(3840x2160), 30fps@(3072x2048, 2592x1944, 2592x1520, 2048x1536, 1920x1080, 1280x960, 1280x720, 704x576)
Secondary Stream	30fps(704x576, 640x480, 640x360, 352x288, 320x240, 320x192, 320x180)		
Tertiary Stream	30fps@(1920x1080, 1280x720, 704x576, 640x480, 640x360, 320x240, 320x192, 320x180)		
Video Compression	H.265+/H.265(HEVC)/H.264+/H.264/MJPEG		
Video Bit Rate	16Kbps~16Mbps(CBR/VBR Adjustable)		
Privacy Masking	Up to 8 areas		
ROI	Up to 8 areas		
Image Setting	Brightness/Contrast/Saturation/Sharpness		

INTERFACE

Ethernet	1*RJ45 10M/100M Ethernet Port
Audio I/O	1/1 (Multi-interface Version)
Alarm I/O	1/1 (Multi-interface Version)

TECHNICAL SPECIFICATION

NETWORK

	MV-P229-ILD (2MP)	MV-P529-ILB (5MP)	MV-P829-ILB (4K)
Network Storage	NAS(Support NFS, SMB/CIFS), ANR (Automatic Network Replenishment)		
Protocol	IPv4/IPv6, ARP, TCP, UDP, RTCP, RTP, RTSP, RTMP, HTTP, HTTPS, DNS, DDNS, DHCP, FTP, NTP, SMTP, SNMP, UPnP, Bonjour, SIP, PPPoE, VLAN, 802.1x, QoS, IGMP, ICMP, SSL		

AUDIO

Audio Compression	G.711/AAC/G.722/G.726		
Audio Sampling Rate	8/16/32/44.1/48KHz	8/16/32/48KHz	8/16/32/44.1/48KHz
Audio Bit Rate	16~256kbps	16~96kbps	16~256kbps
Two-way Audio	N/A		

SYSTEM

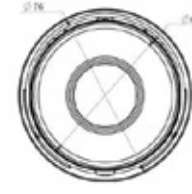
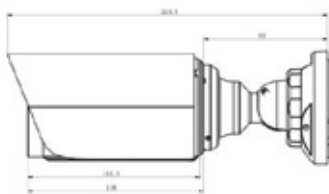
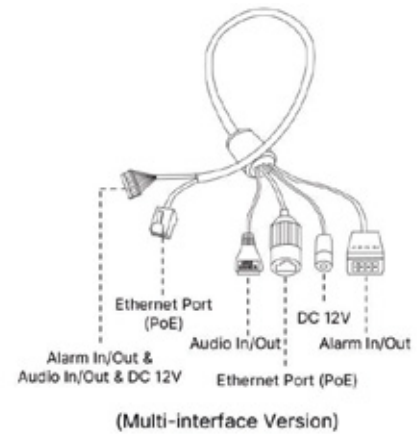
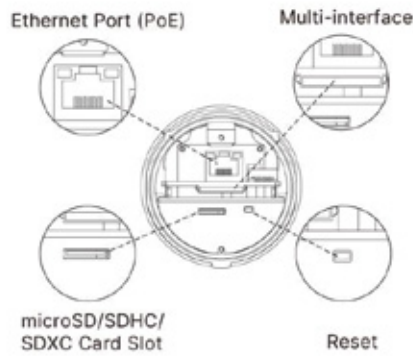
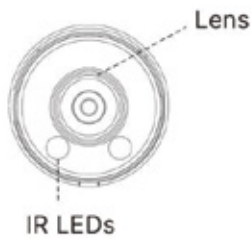
Storage	Support microSD/SDHC/SDXC Card Local Storage, up to 256GB		
Advanced Function	BLC, HLC, 2D DNR, 3D DNR, Defog, AWB, EIS, IP Address Filtering, AGC, Anti-flicker, Corridor Mode, Deblur, Watermark		
SIP/VoIP Support	Yes, Voice & Video-over-IP		
Event Trigger	Motion Detection, Network Disconnection, etc.; Motion Detection, Network Disconnection, External Input, Audio Alarm, etc. (Multi-interface Version)		
Event Action	FTP Upload, SMTP Upload, SD Card Record, SIP Phone, HTTP Notification, etc.; FTP Upload, SMTP Upload, SD Card Record, External Output, SIP Phone, HTTP Notification, etc. (Multi-interface Version)		
Video Analysis	Region Entrance, Region Exiting, Advanced Motion Detection, Tamper Detection, Line Crossing, Loitering, Human Detection, People Counting, Object Left, Object Removed		
System Compatibility	ONVIF Profile G & Q & S & T, API		

GENERAL

Working Temperature	-40°C~60°C		
Working Humidity	0~90%(Non-condensing)		
Power Supply	PoE (802.3af); PoE (802.3af) / DC 12V±10% (Multi-interface Version)		
Power Consumption	4W MAX 5.5W MAX (With IR on)	4.5W MAX 6W MAX (With IR on)	6W MAX 7W MAX (With IR on)
Weather Proof	Up to IP67-rated for Weather-resistant Performance		
Housing	Vandal-proof IK10-rated Metal Housing		
Weight	750g		
Dimensions	Φ76mmX214.5mm		
Warranty	3/5 Years		

PRO SERIES ⚙️

STRUCTURE DIAGRAMS



Units: mm

ACCESSORIES

A01 Pole Mount

Weight: 720g
Dimensions: 170*51.5*152.6mm



A03 External Corner Bracket

Weight: 900g
Dimensions: 170*152.5*76.3mm



A63 Junction Box

Weight: 620g
Dimensions: 134*126*40mm

