

**Pro** 

IR Fix Bullet Camera

2.2M HD IP Outdoor 3.6mm IR Bullet Camera

Real-time High Definition Camera

Real-time High Definition Camera Using the state of art video compression engine, real time HD video streams of 1080i/720p can be delivered for recording and monitoring. As a result, ultimate low speed without fluctuations as well as ultra high speed without jerks can be obtained.

Triple codec, Simultaneous Multi Streaming

Triple codec, Simultaneous Multi Streaming Triple H/W codec enables to transmit max 3 independent streams with different settings for different requirements. Therefore, it is possible to monitor video remotely using H.264 and transmit to Network Video Recorder as well.

Day & Night by ICR

Day & Night by ICR For increased sensitivity of image sensor efficiently, a mechanical actuator can shift infrared (IR) Cut filter to disengaged from image path automatically in the low light environment.

90° Tilting

90° Tilting The 3 axis mechanism and sophisticated bubble dome design support wider tilting angle up 90 degrees. For various applications, this provides more choices and options in installation.

FEATURES

- 1/2.9" 2.2M CMOS
- Focal Length 3.6mm, F2.0
- Lens Type Fixed, IRIS Type Auto Exposure
- IR LEDS 24 IR, Max Resolution 1920 X 1080
- Special Feature Smart LBR, ROI

**H.264****HD****1080p****IP66**

PRO SERIES 

TECHNICAL SPECIFICATION

CAMERA

	MVP2-12-R (2MP)
Image Sensor	1/2.9" 2.2M CMOS
Resolution	2MP 1080P
Effective Pixels	2001(H)x1121(V)
Focal Length	3.6mm, F2.0
Lens Type	Fixed
IRIS Type	Auto Exposure
Shutter Speed	Auto / Manual (1/15 ~ 1/32000), Anti-Flicker, Slow Shutter(1/2 1/3 1/5 1/6 1/7.5 1/10)
Field Angle (FOV)	D:109°, H:94°, V:50°
Min. Illumination	0.25Lux, 0Lux with IR (F2.0)
IR LEDS	24IR
IR Distance	50ft
Dynamic Range Conf.	N/A
Dynamic Range	N/A
S/N Ratio	50dB
Pan / Tilt / Zoom	N/A
Day & Night	TDN (True Day & Night)
DNR	3D-DNR
Privacy Mask Support	16 Programmable Zone
AGC	Auto
Other Image Processing	Configurable Exposure, White Balance, Sharpness

ENCODER (Audio & Video)

Video Compression	H.264, H.265, MJPEG
H.264 Profile	MP / HP
H.265 Profile	MP
Max Resolution	1920 X 1080
Multiple Profile Streaming Performance	1080p30 + 480p30 with H.264, H.265 + MJPEG
Video Bitrate	100kbps~10Mbps, Multi-rate for Preview and Recording
Bitrate Control	Multi Streaming CBR/VBR at H.264, H.265 (Controllable frame rate and Bandwidth)
Audio Compression	N/A
Edge Storage	N/A
Special Feature	Smart LBR, ROI



PRO SERIES 

TECHNICAL SPECIFICATION

SECURITY & NETWORK

	MVP2-12-R (2MP)
Network Protocol	IPv4/IPv6 : ONVIF, TCP/IP, UDP, RTP(UDP/TCP), RTSP, NTP, HTTP,HTTPS, SSL, DNS, DDNS, DHCP, FTP, SMTP, ICMP, SNMPv1/v2c/v3(MIB-2)
Security	HTTPS(SSL), IP filtering, 802.1x, Digest Authentication
SIP/VoIP Support	N/A
Plug In	CGI API, ONVIF
Audio In / Out	N/A
Alarm In /Out	N/A
Video Output	N/A
Event Trigger	Motion Alarm, Temperature critical, Illegal login, Schedule
Pre-Post Recording	Pre :1 ~ 0~5 sec Post :1 ~ 240 sec
Event Notification	FTP, e-mail, Alarm out
Ethernet	RJ45 (10/100BASE-T)

Camera Features

Support Languages	English, Korean, Japanese
Power	(Adaptor is not Included) DC12V POE IEEE 802.3af Class3
Power Consumption	DC12V Max 5.7W / PoE Max 7.2W
Temperature	-20°C ~ 50°C
Humidity	10~90% RH (non-condensing)
Housing	Aluminum Die-casting
Dimensions (D x H)	161.7 x 67.5 mm
Weight	0.5kg
Compliance	IP66

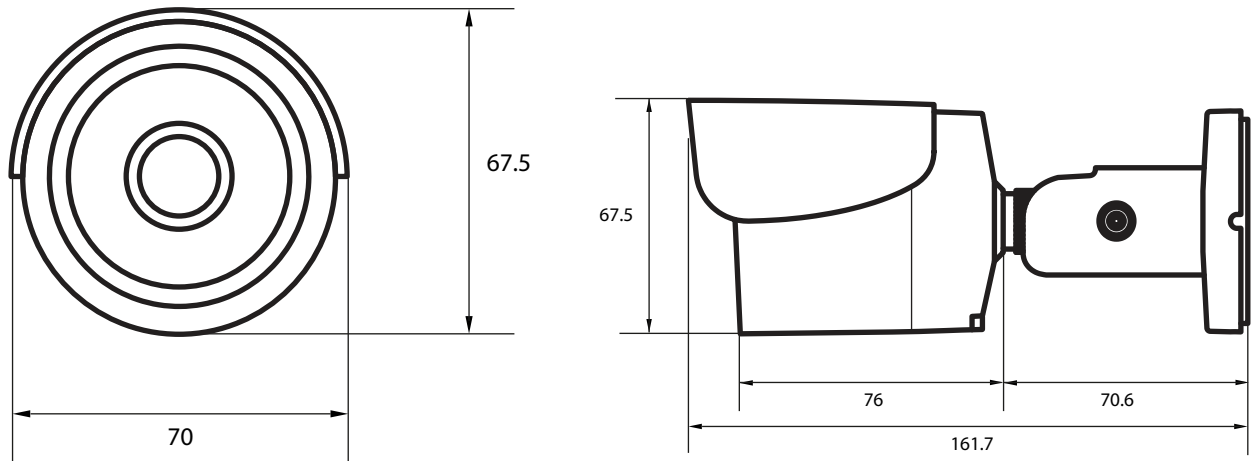
STRUCTURE

Dome	79 Ø
Height	65.5 mm
Width	70 mm
Length	161.7 mm
Weight	Net 0.44kg



PRO SERIES ⚙️

Dimensions



Accessories

