



Value 

## MVMAFD-S005AI

**4MP Outdoor Dome  
IP 5X AF IR 25m**

### Smart Facial Recognition

Smart facial recognition cameras show dramatically improved accuracy and performance despite everyday challenges such as long distances, low-resolution videos or situations when the faces are not directed towards the camera.

### Intrusion Detection and Line Crossing

User-selected zones are monitored continuously for people or vehicle intrusion. The Line Crossing feature automatically detects a moving object which crosses the defined line.

### Triple codec, Simultaneous Multi Streaming

Triple codec, Simultaneous Multi Streaming Triple H/W codec enables to transmit max 3 independent streams with different settings for different requirements. Therefore, it is possible to monitor video remotely using H.264 and transmit to Network Video Recorder as well.

### 90° Tilting

90° Tilting The 3 axis mechanism and sophisticated bubble dome design support wider tilting angle up 90 degrees. For various applications, this provides more choices and options in installation.

### FEATURES

- 1/2.8" SONY Starvis Back-illuminated CMOS sensor
- H.264/H.264+/H.265/H.265+ Compression Method
- 2.7-13.5mm 5X Motor Zoom Auto Focus Lens
- IR Distance 25m Max.
- IP67 Outdoor Metal Case



# MVMAFD-S005AI

# VALUE

## TECHNICAL SPECIFICATION

### CAMERA

Image Sensor	1/2.8" SONY Starvis Back-illuminated CMOS sensor
Resolution	4MP
Effective Pixels	2616 (H) x 1964 (V)
Compression	H.264/H.264+/H.265/H.265+/ JPEG/AVI /MJPEG
Tv System	PAL/NTSC
Electronic Shutter Time	Auto: PAL 1/25-1/10000Sec; NTSC 1/30-1/10000Sec
Minimum Illumination	0.01Lux
S/N Ratio	≥52dB
Scanning System	Progressive
Video Output	Network
Reset Button	Support

### LENS

Focus Length	2.7-13.5mm Motor Zoom
Focus Control	Auto
Lens Type	Auto
Pixels	4MP

### NIGHT VISION

Infrared LED	42μ x 2PCS
Infrared Distance	25M
IR Status	Auto Control
IR Power On	Auto Control

### NETWORK

Ethernet	RJ-45 (10/100Base-T)
Wireless	N/A
Protocol	TCP/IP,ICMP,HTTP,HTTPS,FTP,DHCP, DNS,DDNS,RTP,RTSP,RTCP,NTP,SMTP
ONVIF	Support ONVIF 2.4(Profile S/T/G)
P2P	YES, Support QR Code
POE	Optional/Internal, Support IEEE 802.3af
Video Delay	0.3S (Within the Lan)
Main Stream 1	2592*1944@20fp / 2560*1920@20fp
Main Stream 2	2560*1440@30fp
Main Stream 3	1920*1080@30fps / 1280*720@30fps
Sub Stream 1	1280*720@30fps
Sub Stream 2	720*480@30fps
Sub Stream 3	N/A
TRI Stream	352*288@30fps
IE Brower	IE8-11, Google Chrome (lower than Ver44), Firefox (lower than Ver53), Mac Safari(lower than version 12)

Smart Phone	iPhone, iPad, Android, Android Pad
-------------	------------------------------------

### AI Function

Intelligent Analysis	Intrusion Detetion, Line Cross Detetion, Loiter Detetion, People Gather Detecion
Recognition	Face Detection and Recognition Number of faces per frame: 32 Capture rate: >99.5% Repeat capture rate: <15% False capture rate: <0.5% Number of supported faces: 30,000 Minimum detection of face pixels: 25*25 Maximum detection of face pixels: 300*300

### CAMERA FEATURES

Day/night	Color/ B&W (IR-CUT )
Image Config	Saturation/Brightness/Contrast /Sharpness, Mirror, 3D NR , White Balance, FLK(Flicker Control), Video Tampering
Full Starlight	N/A
Corridor Pattern	N/A
Defog Mode	Support
ROI	Support
BLC	Support
WDR	HDR:120dB
Motion Detection	Support
Privacy Masking	3 Rectangular Zone
Recording Mode	NVR/CMS/Web
Language	English, Bulgarian, Polish, Arabic, German, Russian, French, Korean, Portuguese, Japanese, Turkish, Spanish, Hebrew, Italian,Nederlands,Czech, Vietnamese Chinese

### INTERFACE

Audio	Audio IN/OUT by Line
Alarm	1 Channel Input/Output
SD Card Slot	Support Max 512GB
RS485	Support

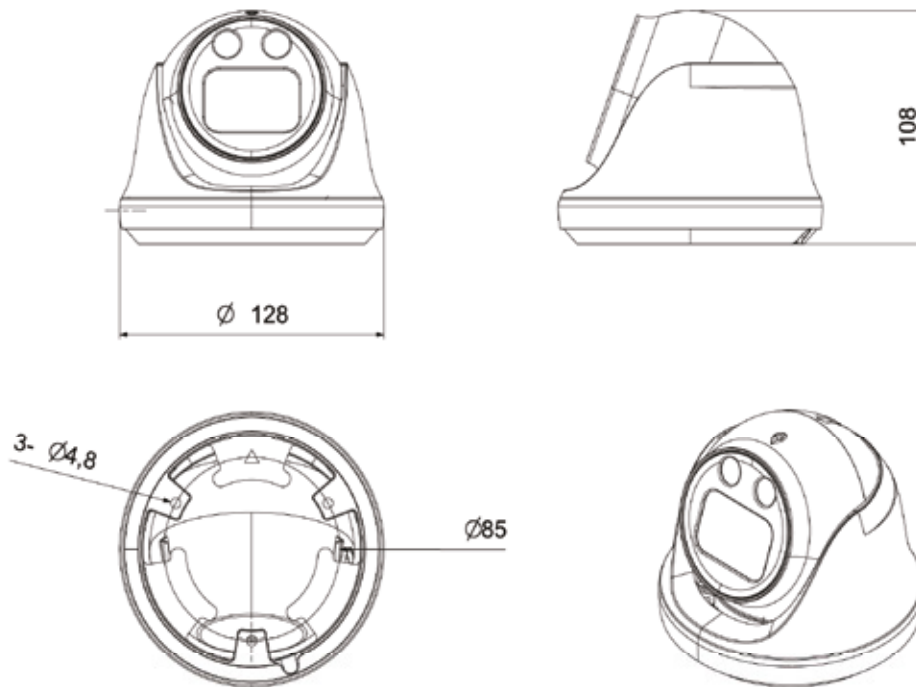
### GENERAL

Housing	Metal , IP67
Anti-cut Bracket	NO
IR Cut Filter	YES
Operation Temperature	-20°C ~ +60°C RH95% Max
Storage Temperature	-20°C~ +60°C RH95% Max
Power Source	DC12V±10%, 700mA
Dimension	Ø128x 108(H) mm
Weight	800g

**MVMAFD-S005AI**

**VALUE** 

## Dimensions



## Accessories

