



Value 

## MVFD-L002FC

**2MP Fixed Lens  
Full Color IP**

### Smart Facial Recognition

Smart facial recognition cameras show dramatically improved accuracy and performance despite everyday challenges such as long distances, low-resolution videos or situations when the faces are not directed towards the camera.

### Intrusion Detection and Line Crossing

User-selected zones are monitored continuously for people or vehicle intrusion. The Line Crossing feature automatically detects a moving object which crosses the defined line.

### Triple codec, Simultaneous Multi Streaming

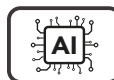
Triple codec, Simultaneous Multi Streaming Triple H/W codec enables to transmit max 3 independent streams with different settings for different requirements. Therefore, it is possible to monitor video remotely using H.264 and transmit to Network Video Recorder as well.

### 90° Tilting

90° Tilting The 3 axis mechanism and sophisticated bubble dome design support wider tilting angle up 90 degrees. For various applications, this provides more choices and options in installation.

## FEATURES

- Fixed Lens Full Color Dome
- 1/2.8" SONY Starvis Back-illuminated CMOS Sensor
- H.265+/H.265/H.264+/H.264 Compression Method
- 3.6mm Fixed Lens
- Support Warm white (4000K) up to 30m
- With Internal POE and SD Card Slot



# MVWLD-L002FC

# VALUE

## TECHNICAL SPECIFICATION

### CAMERA

Image Sensor	1/2.8" SONY Starvis Back-illuminated CMOS sensor
Resolution	2MP 1080P
Effective Pixels	1945(H)*1097(V)
Compression	H.264/H.264+/H.265/H.265+/ JPEG/AVI /MJPEG
Tv System	PAL/NTSC
Electronic Shutter Time	Auto: PAL 1/25-1/10000Sec; NTSC 1/30-1/10000Sec
Minimum Illumination	0.005Lux
S/N Ratio	≥52dB
Scanning System	Progressive
Video Output	Network
Reset Button	Optional

### LENS

Focus Length	Board Lens 3.6mm/F1.0
Focus Control	Fixed
Lens Type	Fixed
Pixels	2MP

### NIGHT VISION

Infrared LED	No,Support Warm light LED 4000K, up to 30m
Infrared Distance	N/A
IR Status	Auto Control
IR Power On	Smart, Manual & Timed mode

### NETWORK

Ethernet	RJ-45 (10/100Base-T)
Wireless	N/A
Protocol	TCP/IP, ICMP, HTTP, HTTPS, FTP, DHCP, DNS, DDNS, RTP, RTSP, RTCP, PPPoE, NTP, UPnP, SMTP, UDP
ONVIF	Support ONVIF 2.4(Profile S/T/G)
P2P	YES, Support QR Code
POE	Optional, Support IEEE 802.3af
Video Delay	0.3S (Within the Lan)
Main Stream 1	2048*1536@20fps
Main Stream 2	1920*1080@30fps
Main Stream 3	1280*720@30fps
Sub Stream 1	720*480@30fps
Sub Stream 2	352*288@30fps
Sub Stream 3	N/A
TRI Stream	1280*720@30fps / 720*480@30fps / 352*288@30fps
IE Brower	IE8-11, Google Chrome, Firefox , Mac Safari

Smart Phone	iPhone, iPad, Android, Android Pad
-------------	------------------------------------

### AI Function

Intelligent Analysis	N/A
Recognition	N/A

### CAMERA FEATURES

Day/night	Color
Image Config	Saturation/Brightness/Contrast /Sharpness, Mirror, 3D NR , White Balance, FLK(Flicker Control),Video Tampering, HLC, Distortion
Full Starlight	Support
Corridor Pattern	Support
Defog Mode	Support
ROI	Support
BLC	Support
WDR	HDR:120dB
Motion Detection	Support
Privacy Masking	3 Rectangular Zone
Recording Mode	NVR/CMS/Web
Language	English, Bulgarian, Polish, Arabic, German, Russian, French, Korean, Portuguese, Japanese, Turkish, Spanish, Hebrew, Italian,Nederlands,Czech, Vietnamese Chinese

### INTERFACE

Audio	Audio IN/OUT by Line
Alarm	1 Channel Input/Output
SD Card Slot	Support Max 512GB
RS485	N/A

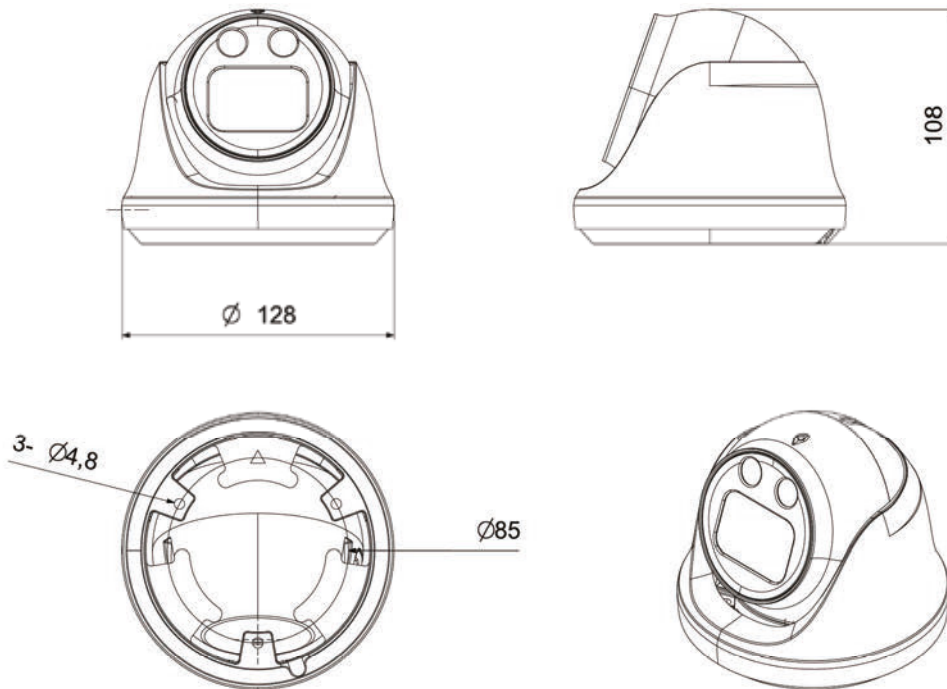
### GENERAL

Housing	Metal , IP67
Anti-cut Bracket	NO
IR Cut Filter	YES
Operation Temperature	-20°C ~ +60°C RH95% Max
Storage Temperature	-20°C~ +60°C RH95% Max
Power Source	DC12V±10%, 1000mA
Dimension	Ø128 x 108(H)mm
Weight	800g

**MVWLD-L002FC**

**VALUE** 

## Dimensions



## Accessories

