



Value 

MVFB-L008FC

**8MP Fixed Lens
Full Color IP**

Smart Facial Recognition

Smart facial recognition cameras show dramatically improved accuracy and performance despite everyday challenges such as long distances, low-resolution videos or situations when the faces are not directed towards the camera.

Intrusion Detection and Line Crossing

User-selected zones are monitored continuously for people or vehicle intrusion. The Line Crossing feature automatically detects a moving object which crosses the defined line.

Triple codec, Simultaneous Multi Streaming

Triple codec, Simultaneous Multi Streaming Triple H/W codec enables to transmit max 3 independent streams with different settings for different requirements. Therefore, it is possible to monitor video remotely using H.264 and transmit to Network Video Recorder as well.

90° Tilting

90° Tilting The 3 axis mechanism and sophisticated bubble dome design support wider tilting angle up 90 degrees. For various applications, this provides more choices and options in installation.

FEATURES

- Fixed Lens Full Color Bullet
- 1/2.7" SmartSens CMOS sensor
- H.265+/H.265/H.264+/H.264 Compression Method
- 3.6mm Fixed Lens
- Support Warm white (4000K) up to 40m
- With Internal POE



MVFB-L008FC

VALUE

TECHNICAL SPECIFICATION

CAMERA

Image Sensor	1/2.7" SmartSens CMOS sensor
Resolution	8MP
Effective Pixels	2888(H)*1628(V)
Compression	H.264/H.264+/H.265/H.265+/ JPEG/AVI /MJPEG
Tv System	PAL/NTSC
Electronic Shutter Time	Auto: PAL 1/25-1/10000Sec; NTSC 1/30-1/10000Sec
Minimum Illumination	0.01Lux
S/N Ratio	≥52dB
Scanning System	Progressive
Video Output	Network
Reset Button	Optional

LENS

Focus Length	Board Lens 3.6mm/F1.0
Focus Control	Fixed
Lens Type	Fixed
Pixels	8MP

NIGHT VISION

Infrared LED	No,Support Warm light LED 4000K, up to 40m
Infrared Distance	N/A
IR Status	Auto Control
IR Power On	Smart, Manual & Timed mode

NETWORK

Ethernet	RJ-45 (10/100Base-T)
Wireless	N/A
Protocol	TCP/IP, ICMP, HTTP, HTTPS, FTP, DHCP, DNS, DDNS, RTP, RTSP, RTCP, PPPoE, NTP, UPnP, SMTP, UDP
ONVIF	Support ONVIF 2.4(Profile S/T/G)
P2P	YES, Support QR Code
POE	Internal, Support IEEE 802.3af
Video Delay	0.3S (Within the Lan)
Main Stream 1	3840*2160@20fps / 2880*1620@20fps
Main Stream 2	2592*1536@20fps / 2560*1440@20fps
Main Stream 3	1920*1080@20fps / 1280*720@20fps
Sub Stream 1	1280*720@20fps
Sub Stream 2	720*480@20fps
Sub Stream 3	N/A
TRI Stream	1280*720@20fps / 720*480@20fps
IE Brower	IE8-11, Google Chrome, Firefox , Mac Safari
Smart Phone	iPhone, iPad, Android, Android Pad

AI Function

Intelligent Analysis	Intrusion Detetion
----------------------	--------------------

CAMERA FEATURES

Day/night	Color
Image Config	Saturation/Brightness/Contrast /Sharpness, Mirror, 3D NR , White Balance, FLK(Flicker Control), Video Tampering, HLC, Distortion
Full Starlight	Support
Corridor Pattern	Support
Defog Mode	Support
ROI	Support
BLC	Support
WDR	HDR:120dB
Motion Detection	Support
Privacy Masking	3 Rectangular Zone
Recording Mode	NVR/CMS/Web
Language	English, Bulgarian, Polish, Arabic, German, Russian, French, Korean, Portuguese, Japanese, Turkish, Spanish, Hebrew, Italian,Nederlands,Czech, Vietnamese Chinese

INTERFACE

Audio	Optional Audio Input/Output
Alarm	Optional 1 Channel Input/Ouput
SD Card Slot	Optional Internal, Support Max 512GB
RS485	N/A

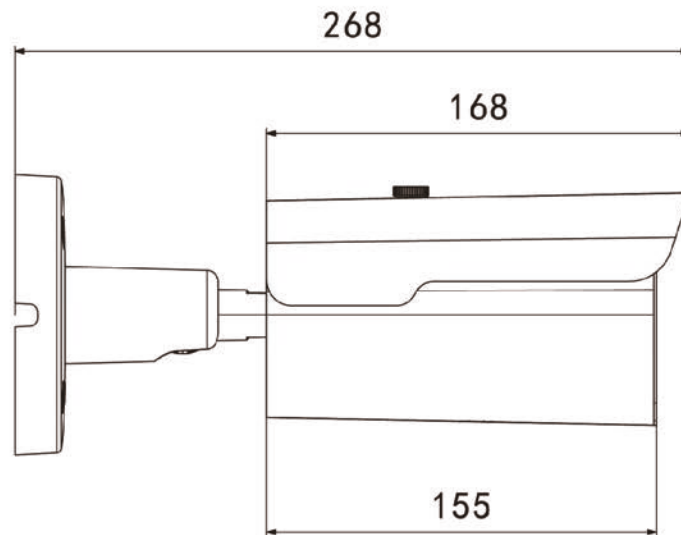
GENERAL

Housing	Metal , IP67
Anti-cut Bracket	NO
IR Cut Filter	YES
Operation Temperature	-20°C ~ +60°C RH95% Max
Storage Temperature	-20°C~ +60°C RH95% Max
Power Source	DC12V±10%, 1000mA
Dimension	268(W) x 95(H) x 88(D)mm
Weight	1500g

MVFB-L008FC

VALUE 

Dimensions



Accessories

