



# Motorized VF Bullet

## 2MP/5MP/8MP

### AI Video Analytics

- 8 intelligent VCA modes powered by AI engine, which can intelligently filter objects to focus on human and vehicle detection.
- People Counting technology provides high accuracy and real-time data based on AI algorithm with statistic reports.
- Face Detection function detects human faces in the monitoring scene and captures the snapshots, which greatly enhances the monitoring efficiency.

### True WDR - 55dB

Microview's upgraded True WDR outputs three frames each line, which is able to bring more details especially moving subjects. What's more, it greatly improves image quality for reducing smear and noisy points. The ratio that the brightest light signal values divided by the darkest light signal values is up to 55dB.

### 25/30fps@4K

Providing up to 4K HD resolution with frame rate of 25/30fps, the camera performs well in catching detailed image regardless of the moving speed.

### Integrated Junction Box

The well-designed integrated Junction Box especially the Clamshell structure ensures efficient and simple installation. It enlarges the space to make cable connection neat and as easy as a piece of cake.

### FEATURES

- 1/2.8" STARVIS™ CMOS
- 2.7 to 13.5 mm, 6 to 22 mm, 5 to 50 mm motorized focal lens
- True WDR, 3D DNR, ROI, Defog, HLC
- Support face, human, vehicle detection and capture
- Smart IR distance up to 100 m
- IP67, IK10 protection



# Motorized VF Bullet



## TECHNICAL SPECIFICATION

### CAMERA

Part Number	MV-P288-MVB (2MP)	MV-P588-MVB (5MP)	MV-P888-MVB (8MP)
Image Sensor	1/2.8" STARVIS™ CMOS		
Min. Illumination	Color: 0.01 Lux @ (F1.6, AGC ON), B/W: 0 Lux with IR	Color: 0.03 Lux @ (F1.6, AGC ON), B/W: 0 Lux with IR	Color: 0.01 Lux @ (F1.6, AGC ON), B/W: 0 Lux with IR
Electronic Shutter	Auto/Manual, 1/5 to 1/20,000s	Auto/Manual, 1/5 to 1/100,000s	Auto/Manual, 1/5 to 1/20,000s

### LENS

Lens Type	Varifocal lens, Motorized focal		
Angle Adjustment	Pan: 0° to 360°, Tilt: 0° to 90°, Rotation: 0° to 360°		
Iris	Fixed Iris		
Focal Length	2.7 to 13.5 mm, 6 to 22 mm, 5 to 50 mm optional		
Focal Length	2.7 to 13.5 mm 2.7 to 13.5 mm 5 to 50 mm	2.7 to 13.5 mm 6 to 22 mm 5 to 50 mm	2.7 to 13.5 mm 5 to 50 mm
F Number	F1.6 F1.6 F2.0	F1.6 F1.6 F2.0	F1.6 F2.0
Angle of View	H: 101° to 28°, V: 54° to 16° H: 44.1° to 17.9°, V: 24.3° to 10.1° H: 50.1° to 7.7°, V: 27.4° to 4.4°	H: 93.8° to 26.9°, V: 68.3° to 20.1° H: 42.4° to 17.3°, V: 31.2° to 13° H: 46.2° to 7.7°, V: 34.1° to 5.8°	H: 98.1° to 30.9°, V: 52.6° to 17.3° H: 50.5° to 8.4°, V: 27.5° to 4.8°

### DORI DISTANCE

Detect	Wide: 48 m (157.5 ft) Tele: 152 m (498.7 ft) Wide: 88 m (288.7 ft) Tele: 530 m (1,738.8 ft)	Wide: 72 m (236.2 ft) Tele: 216 m (708.6 ft) Wide: 133 m (436.4 ft) Tele: 827 m (2,713.3 ft)	Wide: 88 m (288.7 ft) Tele: 280 m (918.6 ft) Wide: 187 m (613.5 ft) Tele: 1,118 m (3,668.0 ft)
Observe	Wide: 19.2 m (63 ft) Tele: 60.8 m (199.5 ft) Wide: 35.2 m (115.5 ft) Tele: 212 m (695.5 ft)	Wide: 28.8 m (94.5 ft) Tele: 86.4 m (283.5 ft) Wide: 53.2 m (174.5 ft) Tele: 330 m (1,082.7 ft)	Wide: 35.2 m (115.5 ft) Tele: 112 m (367.5 ft) Wide: 74.8 m (245.4 ft) Tele: 447.2 m (1467.2 ft)
Recognize	Wide: 9.6 m (31.5 ft) Tele: 30.4 m (99.7 ft) Wide: 17.6 m (57.7 ft) Tele: 106 m (347.8 ft)	Wide: 14.4 m (47.2 ft) Tele: 43.2 m (141.7 ft) Wide: 26.6 m (87.3 ft) Tele: 165.4 m (542.7 ft)	Wide: 17.6 m (57.7 ft) Tele: 56 m (183.7 ft) Wide: 37.4 m (122.7 ft) Tele: 223.6 m (733.6 ft)
Identify	Wide: 4.8 m (15.7 ft) Tele: 15.2 m (49.9 ft) Wide: 8.8 m (28.9 ft) Tele: 53 m (173.9 ft)	Wide: 7.2 m (23.6 ft) Tele: 21.6 m (70.9 ft) Wide: 13.3 m (43.6 ft) Tele: 82.7 m (271.3 ft)	Wide: 8.8 m (28.9 ft) Tele: 28 m (91.9 ft) Wide: 18.7 m (61.4 ft) Tele: 111.8 m (366.8 ft)

# Motorized VF Bullet



## TECHNICAL SPECIFICATION

### VIDEO

Streaming Capability	3 Streams		
Max. Image Resolution	1920x1080	2592x1944	3840x2160
Stream/Frame Rate	Stream1: 1920x1080, 1280x720 @25/30fps Stream2: D1, VGA, 640x360, CIF, QVGA @25/30fps Stream3: VGA, CIF, QVGA @25/30fps	Stream1: 2592 x 1944, 2592 x 1520, 1920 x 1080, 1280 x 720 @25/30 fps Stream2: D1, VGA, CIF @25/30 fps Stream3: VGA, CIF, QVGA @25/30 fps	Stream1: 3840 x 2160, 2592 x 1944, 2592 x 1520, 2560 x 1440, 2304 x 1296, 1920 x 1080, 1280 x 720 @25/30 fps Stream2: D1, VGA, CIF @25/30 fps Stream3: VGA, CIF, QVGA @25/30 fps
Bit Rate Control	CBR/VBR		
Bit Rate	Stream1: 200 Kbps to 12 Mbps Stream2: 100 Kbps to 6 Mbps Stream3: 100 Kbps to 3 Mbps	Stream1: 200 Kbps to 12 Mbps Stream2: 100 Kbps to 6 Mbps Stream3: 100 Kbps to 3 Mbps	Stream1: 200 kbps to 16 Mbps Stream2: 100 kbps to 6 Mbps Stream3: 100 kbps to 3 Mbps
Region of Interest	Off/On (8 areas, Rectangle)		
Smart Encode	Support		

### AUDIO

Compression	G.711, RAW_PCM
Bit Rate	64Kbps (G.711), 128Kbps (RAW_PCM)

### ILLUMINATOR

Illuminator Type	IR		
Illumination Distance	2.7 to 13.5 mm: Up to 60 m (196.9 ft) 6 to 22 mm: Up to 80 m (262.5 ft) 5 to 50 mm: Up to 100 m (328.1 ft)	2.7 to 13.5 mm: - Up to 60 m (196.9 ft) 6 to 22 mm: - Up to 80 m (262.5 ft) 5 to 50 mm: - Up to 100 m (328.1 ft)	2.7 to 13.5 mm - Up to 60 m (196.9 ft) 5 to 50 mm - Up to 100 m (328.1 ft)
Illumination On/Off Control	Auto/Manual		

### IMAGE

Image Adjustment	Brightness, Sharpness, Contrast, Saturation adjustable
Scene Setting	Indoor, Outdoor, Mirror, Corridor Mode
Exposure Mode	Auto, Manual, Shutter priority
White Balance	Auto, Tungsten, Fluorescent, Daylight, Shadow, Manual
Day/Night Setting	Auto, Day, Night, Timer
Smart IR	Support
Noise Reduction	2D/3D DNR
Image Enhancement	WDR, HLC, BLC, Defog
Wide Dynamic Range	True WDR
Privacy Masking	4 areas

# Motorized VF Bullet



## TECHNICAL SPECIFICATION

### SMART FUNCTION

Multi-Object Detection	Supports face, human, vehicle detection and capture
Intelligent Analytics	Intrusion, Single line crossing, Double line crossing, Loitering, Wrong-way Support alarm triggering by specified target types (human and vehicle)
People Counting	Support

### NETWORK

Protocols	IPv4/IPv6, 802.1x, HTTP, HTTPS, TCP/IP, UDP/IP, RTSP, DHCP, NTP, RTCP/RTP, PPPoE, SMTP, DNS, UPnP, FTP, ARP, SNMP, TLS/SSL
Interoperability	ONVIF, SDK, CGI
Streaming Method	Multicast
Max. User Access	Up to 10 users, 3 levels: Administrator, Operator, Media user
Web Viewer	<IE11, Chrome, Firefox, Microsoft Edge
Language	English, Chinese, Polish, Italian, Portuguese, Spanish, Russian, French, Czech, Hungarian. Default: English

### INTERFACE

Network Interface	1 Ethernet (10/100 Base-T) RJ-45 Connector
Audio Interface	1ch Input, 1ch Output
Alarm Interface	1ch Input, 1ch Output
Reset Button	Support
SD Card Slot	Built-in, up to 256GB

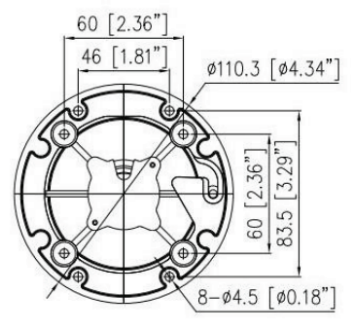
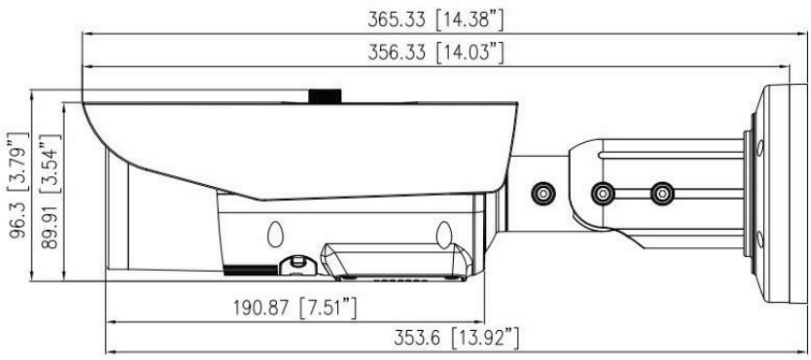
### ELECTRICAL

Power Supply	12 VDC (-10% to +25%)/PoE (802.3af)	12 VDC (-10% to +25%)/PoE (802.3af)	DC12V (-15% to +25%)/PoE (802.3af)
Power Consumption	Basic: Max 2.5 W (IR OFF), Max 9.5 W (IR ON)	Basic: Max 2.5 W (IR OFF), Max 9.5 W (IR ON)	Basic: Max 3.6 W (IR OFF), Max. (Focus + WDR + IR on): 13 W
Operating Temperature	-40°C to 55°C (-40°F to 131°F)		
Operating Humidity	Less than 90% RH		
Ingress Protection	IP67, IK10		
Certifications	CE-EMC (EN 55032:2015+A11:2020, EN 55035:2017+A11:2020, EN 50130-4:2011+A1:2014, EN IEC 61000-6-3:2007+A1:2011+AC:2012, EN IEC 61000-3-2:2019, EN 61000-3-3:2013+A1:2019) FCC (FCC 47 CFR 15, Subpart B, ANSI C63.4-2014)		
Casing	Aluminum alloy		
Dimensions	φ110.3 × 365.33 mm (φ4.33 × 14.38 inch)		
Net Weight	1.45 kg (3.2 lb)		

# Motorized VF Bullet



## STRUCTURE DIAGRAMS (mm)



## ACCESSORIES (Optional)



Junction Box



Pole Mount (1)



Pole Mount (2)



Corner Mount

