



Motorized Ultra Bullet Plus

4MP/8MP/12MP

AI Video Analytics

- 8 intelligent VCA modes powered by AI engine, which can intelligently filter objects to focus on human and vehicle detection.
- People Counting technology provides high accuracy and real-time data based on AI algorithm with statistic reports.
- Face Detection function detects human faces in the monitoring scene and captures the snapshots, which greatly enhances the monitoring efficiency.

True WDR - 55dB

Microview's upgraded True WDR outputs three frames each line, which is able to bring more details especially moving subjects. What's more, it greatly improves image quality for reducing smear and noisy points. The ratio that the brightest light signal values divided by the darkest light signal values is up to 55dB.

25/30fps@4K

Providing up to 4K HD resolution with frame rate of 25/30fps, the camera performs well in catching detailed image regardless of the moving speed.

Integrated Junction Box

The well-designed integrated Junction Box especially the Clamshell structure ensures efficient and simple installation. It enlarges the space to make cable connection neat and as easy as a piece of cake.

FEATURES

- 1/1.8" progressive scan CMOS
- 3.6 to 11 mm motorized focal lens
- True WDR, 3D DNR, ROI, Defog, HLC
- Support face, human, vehicle detection and capture
- Smart IR distance up to 70 m
- IP66, IK10 protection



Motorized Ultra Bullet Plus



TECHNICAL SPECIFICATION

CAMERA

Part Number	MV-P489-MUB (4MP)	MV-P889-MUB (8MP)	MV-P1289-MUB (12MP)
Image Sensor	1/1.8" Progressive Scan CMOS		
Min. Illumination	Color: 0.001 Lux @ (F1.2, AGC ON), B/W: 0 Lux with IR	Color: 0.003 Lux @ (F1.3, AGC ON) , B/W: 0 Lux with IR	Color: 0.001 Lux @ (F1.2, AGC ON), B/W: 0 Lux with IR
Electronic Shutter	Auto/Manual, 1/5 to 1/100,000s		

LENS

Lens Type	Varifocal lens, Motorized focal		
Angle Adjustment	Pan: 0° to 360°, Tilt: 0° to 90°, Rotation: 0° to 360°		
Iris	Fixed Iris	DC Iris	P-Iris
Focal Length	3.6 ~ 11 mm	3.6 ~ 11 mm	4.1 to 12.8 mm
F Number	F1.3	F1.3	F1.53 to F3.3
Angle of View	H: 114.6°~48.3° V: 59°~27.1°	H: 113.4° to 48.9° V: 59° to 26.6°	H: 93.8° to 34° V: 70.1° to 25.8°

VIDEO

Streaming Capability	3 Streams		
Max. Image Resolution	1920x1080	2592x1944	3840x2160
Stream/Frame Rate	Stream1: 2560x1440, 2304x1296, 1920x1080, 1280x720 @ 25/30fps Stream2: D1, VGA, CIF @ 25/30fps Stream3: VGA, CIF, QVGA @ 25/30fps	Stream1: 2592 x 1944, 2592 x 1520, 1920 x 1080, 1280 x 720 @25/30 fps Stream2: D1, VGA, CIF @25/30 fps Stream3: VGA, CIF, QVGA @25/30 fps	Stream1: 3840 x 2160, 2592 x 1944, 2592 x 1520, 2560 x 1440, 2304 x 1296, 1920 x 1080, 1280 x 720 @25/30 fps Stream2: D1, VGA, CIF @25/30 fps Stream3: VGA, CIF, QVGA @25/30 fps
Bit Rate Control	CBR/VBR		
Bit Rate	Stream1: 200 Kbps to 12 Mbps Stream2: 100 Kbps to 6 Mbps Stream3: 100 Kbps to 3 Mbps	Stream1: 200 Kbps to 16 Mbps Stream2: 100 Kbps to 6 Mbps Stream3: 100 Kbps to 3 Mbps	Stream1: 200 kbps to 16 Mbps Stream2: 100 kbps to 6 Mbps Stream3: 100 kbps to 3 Mbps
Region of Interest	Off/On (8 areas, Rectangle)		
Smart Encode	Support		

AUDIO

Compression	G.711, RAW_PCM
Bit Rate	64Kbps (G.711), 128Kbps (RAW_PCM)

Motorized Ultra Bullet Plus



TECHNICAL SPECIFICATION

IMAGE

Image Adjustment	Brightness, Sharpness, Contrast, Saturation adjustable		
Aisle Mode	Support		
Mirror	Support		
White Balance	Auto/Manual		
Day/Night Setting	Auto, Day, Night, Time		
Smart Illumination	Support		
Noise Reduction	2D/3D DNR		
Wide Dynamic Range	True WDR		
Image Enhancement	HLC, BLC, Defog		
S/N Ratio	55dB		
Motion Detection	Support		
Privacy Masking	Support		

ILLUMINATOR

Illuminator Type	IR		
Illumination Distance	Up to 60m (196.85 ft)	Up to 70 m (229.7 ft)	Up to 60m (196.9ft)
Illumination On/Off Control	Auto/Manual		

SMART FUNCTION

Multi-Object Detection	Supports face, human, vehicle detection and capture		
Intelligent Analytics	Intrusion, Single line crossing, Double line crossing, Loitering, Wrong-way Support alarm triggering by specified target types (human and vehicle)		
People Counting	Support		

NETWORK

Protocols	IPv4/IPv6, 802.1x, HTTP, HTTPS, TCP/IP, UDP/IP, RTSP, DHCP, NTP, RTCP/RTP, PPPoE, SMTP, DNS, UPnP, FTP, ARP, SNMP, TLS/SSL		
Interoperability	ONVIF, SDK, CGI		
Streaming Method	Unicast	-	Multicast
Max. User Access	Up to 10 users, 3 levels: Administrator, Operator, Media user		
Web Viewer	<IE11, Chrome, Firefox, Microsoft Edge		
Language	English, Chinese, Polish, Italian, Portuguese, Spanish, Russian, French, Czech, Hungarian. Default: English		

INTERFACE

Network Interface	1 Ethernet (10/100 Base-T) RJ-45 Connector		
Built-in Microphone	-	Support	Support
Built-in Speaker	-	Support	Support
Audio Interface	1ch Input, 1ch Output		
Alarm Interface	1ch Input, 1ch Output		
Reset Button	Support		
SD Card Slot	Built-in, up to 256GB		

Motorized Ultra Bullet Plus

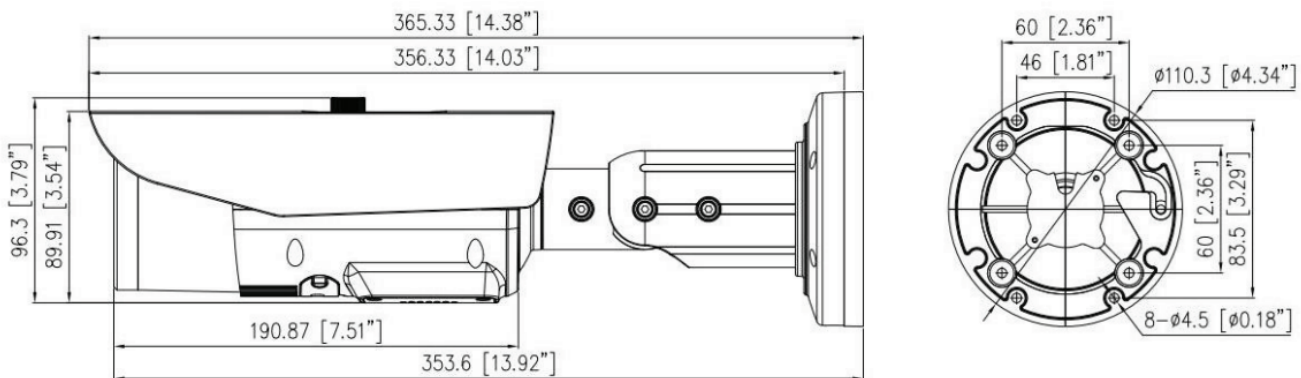


TECHNICAL SPECIFICATION

ELECTRICAL

Power Supply	DC12V(-15%~+25%)/PoE (IEEE 802.3af)	12 VDC (-10% to +25%)/PoE (802.3af)	DC12V (-15% to +20%)/PoE (IEEE 802.3af)
Power Consumption	Max 11.5 W	Max. 3.5 W (without IR), Max. 7 W (with IR) Max. (Focus + WDR + Speaker + IR on): 10.2 W	Basic: Max 4.4 W (IR OFF), Max 8 W (IR ON) Max. (Focus + WDR + Speaker + IR on): 13.2 W
Operating Temperature	-40°C to 55°C (-40°F to 131°F)		
Operating Humidity	Less than 90% RH		
Ingress Protection	IP67, IK10		
Certifications	CE / FCC	CE-EMC (EN 55032:2015+A11:2020, EN 55035:2017+A11:2020, EN 50130-4:2011+A1:2014, EN IEC 61000-6-3:2007+A1:2011+AC:2012, EN IEC 61000-3-2:2019, EN 61000-3-3:2013+A1:2019) FCC (FCC 47 CFR 15, Subpart B, ANSI C63.4-2014)	CE / FCC
Casing	Metal	Aluminum alloy	Metal
Dimensions	φ110.3 × 356.33 mm (φ4.34 × 14.03 inch)		
Net Weight	1.45 kg (3.2 lb)		

STRUCTURE DIAGRAMS (mm)



ACCESSORIES (Optional)



Junction Box



Pole Mount (1)



Pole Mount (2)



Corner Mount