



Pro 

AI 5M IP IR Flat Dome Camera

MVP6-7-VOAI

Real-time High Definition Camera

Real-time High Definition Camera Using the state of art video compression engine, real time HD video streams of 1080p 30fps can be delivered for recording and monitoring. As a result, ultimate low speed without fluctuations as well as ultra high speed without jerks can be obtained.

Triple codec, Simultaneous Multi Streaming

Triple codec, Simultaneous Multi Streaming Triple H/W codec enables to transmit max 3 independent streams with different settings for different requirements. Therefore, it is possible to monitor video remotely using H.264 and transmit to Network Video Recorder as well.

Day & Night by ICR

Day & Night by ICR For increased sensitivity of image sensor efficiently, a mechanical actuator can shift infrared (IR) Cut filter to disengaged from image path automatically in the low light environment.

90° Tilting

90° Tilting The 3 axis mechanism and sophisticated bubble dome design support wider tilting angle up 90 degrees. For various applications, this provides more choices and options in installation.

FEATURES

- 5MP AI Camera
- Supports Intelligent Video Analysis Events (Line Crossing, Intrusion, Queue Management, etc.)
- Maximum Resolution 2592 (Horizontal) X 1944 (Vertical) / 30fps
- Horizontal Field of View 97.7 degrees (2.8mm), 76.6 degrees (4.0mm), 48.2 degrees (6.0mm) - Fixed Lens Options
- Day & Night(ICR)/Night Vision up to 28 meters
- Backlight Compensation (WDR)
- SD/SDHC/SDXC Memory Slot
- IP67/IK10
- Built-in Microphone



PRO SERIES 

TECHNICAL SPECIFICATION

CAMERA

Model	MVP6-7-VOAI (5MP)
Image Sensor	1/2.8" 5.17M(STV2) CMOS
Channel	1
Resolution	2608(H) X 1984(V)
Effective Pixels	2592(H) X 1944(V)
Only installer Video Output	No
S/N(signal/noise) Ratio	50dB
Min. Illumination	COLOR: 0.08Lux BW: 0Lux with IR
Scanning Mode	Progressive Scan

LENS

Focal Length	2.8mm 4.0mm 6.0mm
Lens Type	Fixed
IRIS Type	Auto Exposure
Aperture	2.8 mm, F2.2 4.0mm, F2.0 6.0mm, F2.0
Horizontal Angle	D : 121.8°, H : 97.7°, V : 73° (2.8mm) /D : 99°, H : 76.6°, V : 56° (4mm)/D : 60.6°, H : 48.2°, V : 36° (6mm)
Pan / Tilt / Zoom	Zoom : Fixed

OPERATIONAL

Shutter Speed	Auto / Manual (1/15 ~ 1/32000) Anti-Flicker Slow Shutter(1/2,1/3,1/5,1/6,1/7.5, 1/10)
Auto Gain Control (AGC)	Auto
Day & Night	TDN (True Day & Night)
Digital Noise Reduction	3D DNR
Wide Dynamic Range	WDR(2x)
Dynamic Range	120dB or above
LEDs	H2IR
LED Distance	110ft(34m)
Privacy Zone	90ft(28m)
Function	Motion-Detection Mirror&Flip

ENCODER (Audio & Video)

Video Compression	H.264, H.265, MJPEG
Support Resolution	H.265 : 1920x1080/1280x720/704x576/704x480/640x480/352x288/352x240 H.264 : 1920x1080/1280x720/704x576/704x480/640x480/352x288/352x240 MJPEG : 1920x1080/1280x720/800x600/768x432/704x576/704x480/640x480/640x360/352x288/352x240
Intelligent Codec	Yes
Multiple Profile Streaming Performance	Triple Streaming (3rd Only MJPEG)
Video Bitrate	100Kbps~25Mbps
Bitrate Control	Multi Streaming CBR/VBR at H.264, H.265 (Controllable frame rate and Bandwidth)
Video Bitrate extra comment	Multi-rate for Preview and Recording
Audio Compression	G.711 ulaw
Special Feature	Dynamic ROI (Region of Interest)



PRO SERIES 

TECHNICAL SPECIFICATION

INTELLIGENT VIDEO ANALYTIC

Model	MVP6-7-VOAI (5MP)
AI Intelligent Video Analytic	Yes
VCA Pro AI	Intrusion Detection Zones&lines Tamper Detection Appear Filter Disappear Filter Dwell Filter Enter Filter Exit Filter Stopped Filter Counting Counting Lines Object Color Direction Filter Logical Rules Tailgating Filter DL People Tracker DL Object Tracker Metadata

I/O & EVENTS

Audio In / Out	Mic /1 Line Output
Alarm In / Out	1 Line/1 Line
Mic	Yes
Event Trigger	Motion Alarm Network Disconnection Temperature Critical Illegal Login Schedule Sensor Detection
Event Notification	FTP E-Mail Alarm Out SD Card

NETWORK

Ethernet	RJ45(1000Base-T(1Gbps))
Protocol	TCP/IP UDP AutoIP RTP(UDP/TCP) RTSP NTP HTTP HTTPS SSL DNS DDNS DHCP FTP SMTP ICMP SNMP 1/v2/v3(MIB-2) ONVIF
Security	HTTPS(SSL) IP filtering 802.1x
Application Programming I/F	CGI API ONVIF
Web viewer	MS Edge® Internet Explorer® Google Chrome®
Video management software (VMS)	DW Spectrum® IPVMS
Support languages	English Korean Japanese
Edge storage	Micro SD Micro SDHC Micro SDXC
SD Card Socket	1

ELECTRICAL

Power Requirement	Adaptor is not included DC12V PoE IEEE 802.3af Class3
Power consumption	DC Max 10.4W PoE Max 12.5W

ENVIRONMENTAL

Operating Temperature	-20°C ~ 50°C
Cold Start	No
Operating Humidity	10-90% RH (Non-Condensing)
Vandal Proof Casing	IK10
IP Rating	IP67
Other Certification	FCC CE ROHS UL



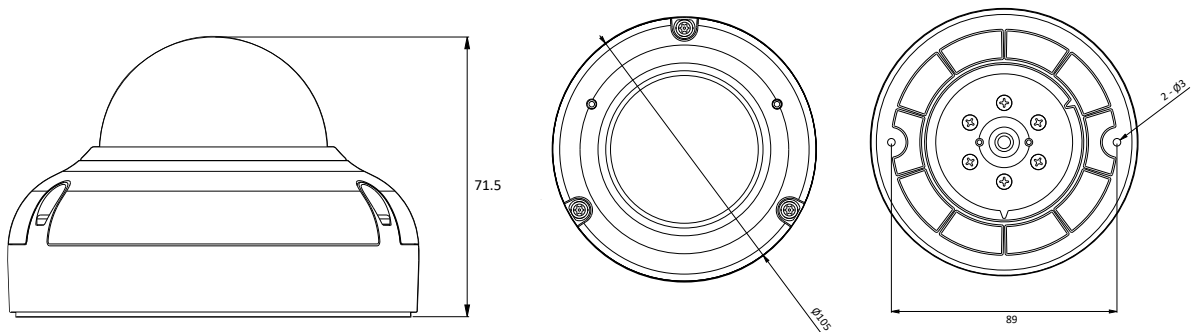
PRO SERIES 

TECHNICAL SPECIFICATION

MECHANICAL

Model	MVP6-7-VOAI (5MP)
Housing Model	VD6
Housing	Outdoor Dome
Material	Aluminum-Die Casting
Color	White
Dimensions (W x D x H)	105mm 72mm
Weight	0.44kg

Dimensions



Accessories

