



Pro 

AI IP Bullet Camera

AI 4K IP IR Bullet

Real-time High Definition Camera

Real-time High Definition Camera Using the state of art video compression engine, real time HD video streams of 4K Ultra HD can be delivered for recording and monitoring. As a result, ultimate low speed without fluctuations as well as ultra high speed without jerks can be obtained.

Triple codec, Simultaneous Multi Streaming

Triple codec, Simultaneous Multi Streaming Triple H/W codec enables to transmit max 3 independent streams with different settings for different requirements. Therefore, it is possible to monitor video remotely using H.264 and transmit to Network Video Recorder as well.

Day & Night by ICR

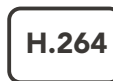
Day & Night by ICR For increased sensitivity of image sensor efficiently, a mechanical actuator can shift infrared (IR) Cut filter to disengaged from image path automatically in the low light environment.

90° Tilting

90° Tilting The 3 axis mechanism and sophisticated bubble dome design support wider tilting angle up 90 degrees. For various applications, this provides more choices and options in installation.

FEATURES

- 4K 180-degree AI Camera
- Supports Intelligent Video Analysis Events (Line Crossing, Intrusion, Queue Management, etc.)
- 1/1.8" High-Sensitivity Sensor
- Maximum Resolution 3840 (Horizontal) X 2160 (Vertical) / 30fps
- Horizontal Field of View 175 degrees / 180-degree Fisheye Lens
- Day & Night (ICR) / IR Visible Distance 31 meters
- SD/SDHC/SDXC Memory Slot
- PoE IEEE 802.3af/Class3
- IP67/IK10 | Internal Heater



PRO SERIES 

TECHNICAL SPECIFICATION

CAMERA

Model	MVP1-78-BFAI (8MP)
Image Sensor	1/1.8" 8.48M(STV2) CMOS
Channel	1
Resolution	3856(H) X 2200(V)
Effective Pixels	3840(H) X 2160(V)
Only installer Video Output	1 [CVBS 1.0V p-p (75Ω)]
S/N(signal/noise) Ratio	50dB
Min. Illumination	COLOR: 0.15Lux BW: 0Lux with IR
Scanning Mode	Progressive Scan

LENS

Focal Length	2.3mm
Lens Type	Fixed
IRIS Type	Auto Exposure
Aperture	F2.8
Horizontal Angle	H:175° / V:80°
Pan / Tilt / Zoom	Zoom : Fixed

OPERATIONAL

Shutter Speed	Auto / Manual (1/15 ~ 1/32000) Anti-Flicker Slow Shutter(1/2,1/3,1/5,1/6,1/7.5, 1/10)
Auto Gain Control (AGC)	Auto
Day & Night	TDN (True Day & Night)
Digital Noise Reduction	3D DNR
Wide Dynamic Range	WDR(2x)
Dynamic Range	120dB or above
LEDs	H2IR
LED Distance	100ft(31m)
Privacy Zone	No
Function	Motion-Detection Mirror&Flip

ENCODER (Audio & Video)

Video Compression	H.264, H.265, MJPEG
Support Resolution	H.265 : 1920x1080/1280x720/704x576/704x480/640x480/352x288/352x240 H.264 : 1920x1080/1280x720/704x576/704x480/640x480/352x288/352x240 MJPEG : 1920x1080/1280x720/800x600/768x432/704x576/704x480/640x480/640x360/352x288/352x240
Intelligent Codec	Yes
Multiple Profile Streaming Performance	Triple Streaming (3rd Only MJPEG)
Video Bitrate	100Kbps~25Mbps
Bitrate Control	Multi Streaming CBR/VBR at H.264, H.265 (Controllable frame rate and Bandwidth)
Video Bitrate extra comment	Multi-rate for Preview and Recording
Audio Compression	G.711 ulaw
Special Feature	Dynamic ROI (Region of Interest)



PRO SERIES 

TECHNICAL SPECIFICATION

INTELLIGENT VIDEO ANALYTIC

Model	MVP1-78-BFAI (8MP)
AI Intelligent Video Analytic	Yes
VCA Pro AI	Intrusion Detection Zones&lines Tamper Detection Appear Filter Disappear Filter Dwell Filter Enter Filter Exit Filter Stopped Filter Counting Counting Lines Object Color Direction Filter Logical Rules Tailgating Filter DL People Tracker DL Object Tracker Metadata

I/O & EVENTS

Audio In / Out	1 Line Input[1.0Vrms, 3K ohm]/1 Line Output
Alarm In / Out	1 Line/1 Line
Mic	No
Event Trigger	Motion Alarm Network Disconnection Temperature Critical Illegal Login Schedule Sensor Detection
Event Notification	FTP E-Mail Alarm Out SD Card

NETWORK

Ethernet	RJ45(1000Base-T(1Gbps))
Protocol	TCP/IP UDP AutoIP RTP(UDP/TCP) RTSP NTP HTTP HTTPS SSL DNS DDNS DHCP FTP SMTP ICMP SNMP 1/v2/v3(MIB-2) ONVIF
Security	HTTPS(SSL) IP filtering 802.1x Digest Authentication
Application Programming I/F	CGI API ONVIF
Web viewer	MS Edge® Google Chrome®
Video management software (VMS)	DW Spectrum® IPVMS
Support languages	English Korean Japanese
Edge storage	Micro SD Micro SDHC Micro SDXC
SD Card Socket	1

ELECTRICAL

Power Requirement	Adaptor is not included DC12V PoE IEEE 802.3af Class3
Power consumption	DC Max 21.9W(12VDC 1.83A) PoE Max 9.2W(48VDC 0.19A)

ENVIRONMENTAL

Operating Temperature	-20°C ~ 50°C
Cold Start	-40°C (DC ONLY)
Operating Humidity	10-90% RH (Non-Condensing)
Vandal Proof Casing	IK10
IP Rating	IP67
Other Certification	FCC CE ROHS UL KC



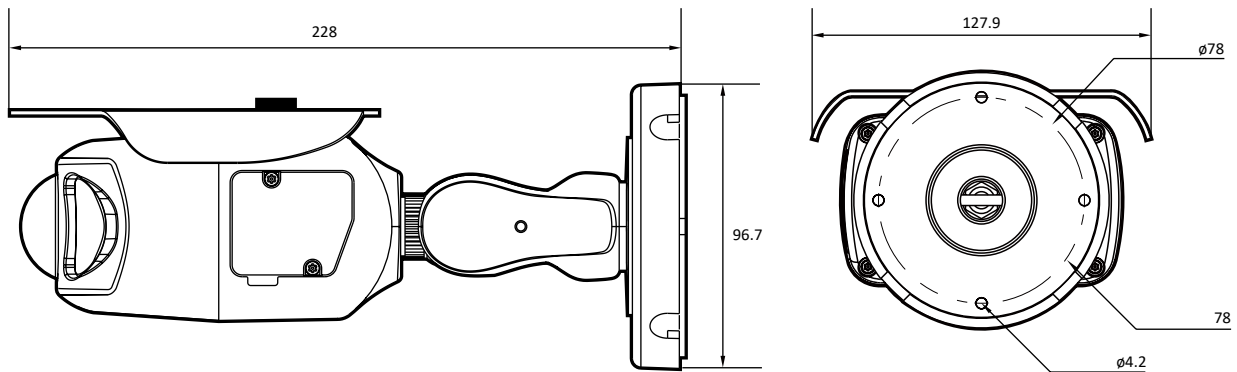
PRO SERIES ⚙️

TECHNICAL SPECIFICATION

MECHANICAL

Model	MVP1-78-BFAI (8MP)
Housing Model	SF1
Housing	Outdoor Bullet
Material	Aluminum-Die Casting
Color	White
Dimensions (W x D x H)	222.5mm 96.7mm
Weight	0.97kg

Dimensions



Accessories

