



# MV-P218-X25-PTZ

## 5-inch 2MP 25x IR Network PTZ Camera

### FEATURES

- 1/2.8" STARVIS™ CMOS
- Max. 25/30 fps@1920 × 1080
- 25x optical zoom, 16x digital zoom
- Supports detection and capture of faces, humans, and vehicles, along with smoke and flame detection.
- Supports intelligent analysis for intrusion, single / double line crossing, loitering, wrong-way detection, illegal parking, smart motion detection, and people counting
- Auto tracking and perimeter protection based on deep learning
- True WDR, 3D DNR, ICR, Defog and DIS
- Smart IR distance up to 200 m
- Supports heated glass for defogging
- IP66



### AI Video Analytics

- 8 intelligent VCA modes powered by AI engine, which can intelligently filter objects to focus on human and vehicle detection.
- People Counting technology provides high accuracy and real-time data based on AI algorithm with statistic reports.
- Face Detection function detects human faces in the monitoring scene and captures the snapshots, which greatly enhances the monitoring efficiency.

# MV-P218-X25-PTZ



## TECHNICAL SPECIFICATION

### CAMERA

Image Sensor	1/1.8" Progressive Scan CMOS
Max Resolution	1920(H) × 1080(V)
Electronic Shutter	Auto/Manual, 1/5 to 1/20,000s
Min. illumination	Color: 0.03 Lux @ (F1.6, AGC ON), B/W: 0.003 Lux @ (F1.6, AGC ON), 0 Lux with IR on
Day & Night	Auto (ICR)
Wide Dynamic Range	True WDR

### LENS

Focal Length	5 to 125 mm
Max. Aperture	F1.6 to F3.67
Angle of View	H: 58.0° to 3.5°, V: 33.5° to 1.9°
Optical Zoom	25x
Digital Zoom	16x
Iris Control	Auto/Manual
Focus Control	Auto/Manual/Semi-automatic

### DORI Distance

Detection	74 to 1,850 m (242.78 to 6,069.55 ft)
Observe	29.6 to 740 m (97.11 to 2,427.82 ft)
Recognize	14.8 to 370 m (48.56 to 1,213.91 ft)
Identify	7.4 to 185 m (25.6 to 606.96 ft)

### ILLUMINATOR

Illuminator Type	IR
Illumination Distance	R distance up to 200 m (656.2 ft)
Illumination On/Off Control	Auto/Manual

### INTELLIGENT ANALYSIS

Multi-Object Detection	Support face, human, vehicle detection and capture
Smoke and Flame Detection	Support
Intelligent Analysis	Intrusion, Single line crossing, Double line crossing, Loitering, Wrong-way detection, Illegal parking, Smart motion detection (support the accurate detection of vehicle and human)
People Counting	Support
Smart Tracking	Support

# MV-P218-X25-PTZ



## TECHNICAL SPECIFICATION

### PTZ

Pan/Tilt Range	Pan: 0° to 360° endless, Tilt: -15° to +90°(auto-flip)
Pan Speed	Pan speed: 0.1° to 180°/s, preset speed: 180°/s
Tilt Speed	Tilt speed: 0.1° to 90°/s, preset speed: 90°/s
Presets	400
Patrol Scan	6 Track, 12 Scan, 12 Patrol (up to 32 presets each patrol)
Power-Off Memory	Support
3D Positioning	Support
PTZ Status Display	Support
Idle Motion	The time can be set (1-240 minutes), and functions such as preset positions, patrols, scans, and tracks can be run.

### AUDIO & VIDEO

Streaming Capability	3 Streams
Stream/Frame Rate	Stream1: 1920×1080, 1280×720 @25/30fps Stream2: D1, VGA, CIF @25/30fps Stream3: VGA, CIF, QVGA @25/30fps
Bit Rate Control	CBR/VBR
Bit Rate	Stream1: 200 kbps to 12 Mbps Stream2: 100 kbps to 6 Mbps Stream3: 100 kbps to 3 Mbps
Smart Encoder	Support
Region of Interest (ROI)	Support
Audio Compression	G.711 A-law, G.711 μ-law, RAW_PCM
Audio Bit Rate	64 kbps (G.711), 128 kbps (RAW_PCM)

### IMAGE

Image Adjustment	Brightness, Sharpness, Contrast, Saturation adjustable
Mirror	Support
Exposure Mode	Auto/Manual
White Balance	Auto/Manual
Day/Night Setting	Auto, Day, Night, Time
Noise Reduction	2D/3D DNR
Image Enhancement	HLC, BLC, Defog, WDR, Anti-shake
Privacy Masking	Support 40 zones, mask color configurable

### EVENT

Alarm Triggers	IVS, Motion detection, Alarm input, Network alarm, Disk alarm, Abnormal sound detection
Alarm Events	Alarm record, Alarm output, FTP upload, SMTP upload, Audible alarm output



# MV-P218-X25-PTZ



## TECHNICAL SPECIFICATION

### NETWORK

Protocols	IPv4/IPv6, HTTP/HTTPS, DNS, DDNS, DHCP, PPPoE, RTSP/ RTCP/RTP, TCP/UDP, NTP, ARP, UPnP, FTP, SMTP, QoS, ICMP, IGMP, SMTP, 802.1x, SNMP, Multicast
Interoperability	ONVIF (Profile S/T/G/M), SDK, CGI
User/Host Level	Up to 10 users, 3 levels: Administrator, Operator, Media user
Security	IP address filter, encrypted HTTPS, Illegal login lock, IEEE 802.1x
Web Viewer	<IE11, Chrome, Firefox, Microsoft Edge

### INTERFACE

Network Interface	1 Ethernet (10/100 Base-T) RJ-45 Connector
Audio Interface	1ch Input, 1ch Output
Alarm Interface	2ch Input, 2ch Output
Reset Button	Support
SD Card Slot	Built-in, up to 256GB

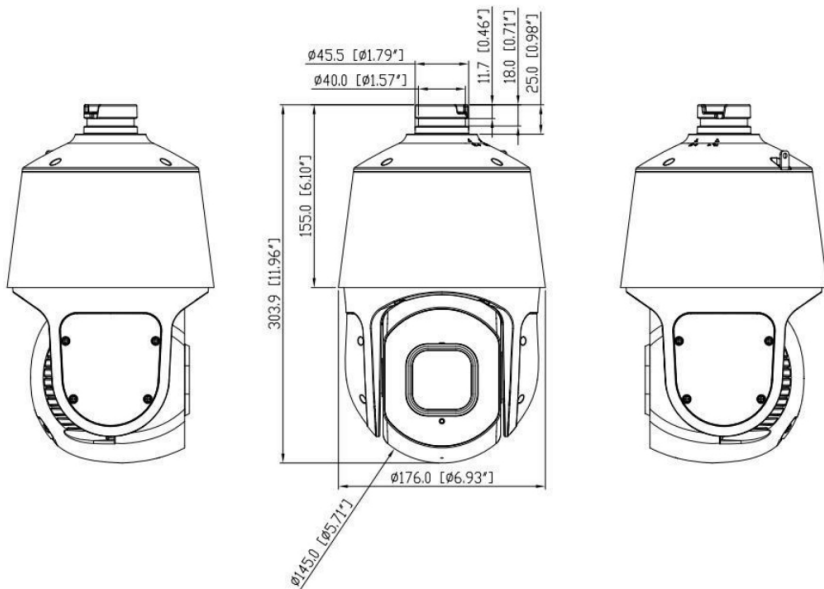
### GENERAL

Language	English, Chinese, Polish, Italian, Portuguese, Spanish, Russian, French, Czech, Hungarian. Default: English
Power Supply	24VAC/36VDC/PoE++ (802.3bt), Standard Equipped: 36VDC
Power Consumption	Less than 24W
Operating Temperature	-40°C to 60°C (-40°F to 140 °F)
Operating Humidity	Less than 90% RH
Ingress Protection	IP66
Certifications	CE-EMC (EN 55032:2015+A1:2020, EN IEC 61000-6-3:2021, EN IEC 61000-3-2:2019+A12021, EN 61000-3-3:2013+A2:2021, EN 55035:2017+A11:2020, EN 50130-4:2011+A1:2014) CE-LVD (EN 62368-1:2014+A11:2017) FCC (FCC 47 CFR 15, Subpart B, ANSI C63.4-2014)
Material	Metal
Dimensions	φ176.0 × 303.9 mm (φ6.93 × 11.96 inch)
Net Weight	4 Kg (8.82 lb)

# MV-P218-X25-PTZ



## STRUCTURE DIAGRAMS (mm)



## ACCESSORIES (Optional)



Wall Bracket



Ceiling Bracket



Corner Mount



Pole Mount



Junction Box



Corner Mount



Pole Mount