



IR Bullet Network Camera

2MP/5MP/8MP

AI Video Analytics

- 8 intelligent VCA modes powered by AI engine, which can intelligently filter objects to focus on human and vehicle detection.
- People Counting technology provides high accuracy and real-time data based on AI algorithm with statistic reports.
- Face Detection function detects human faces in the monitoring scene and captures the snapshots, which greatly enhances the monitoring efficiency.

True WDR - 55dB

Microview's upgraded True WDR outputs three frames each line, which is able to bring more details especially moving subjects. What's more, it greatly improves image quality for reducing smear and noisy points. The ratio that the brightest light signal values divided by the darkest light signal values is up to 55dB.

25/30fps@4K

Providing up to 4K HD resolution with frame rate of 25/30fps, the camera performs well in catching detailed image regardless of the moving speed.

Integrated Junction Box

The well-designed integrated Junction Box especially the Clamshell structure ensures efficient and simple installation. It enlarges the space to make cable connection neat and as easy as a piece of cake.

FEATURES

- 1/2.8" progressive scan CMOS
- 2.8mm fixed lens (4 mm optional)
- True WDR, 3D DNR, ROI, HLC, BLC, Defog
- 1/1 audio in/out, 1/1 alarm in/out
- Smart IR distance up to 30 m
- IP67



IR Bullet Network Camera



TECHNICAL SPECIFICATION

CAMERA

Part Number	MV-P289-FB (2MP)	MV-P589-FB (5MP)	MV-P889-FB (8MP)
Image Sensor	1/2.8" Progressive Scan CMOS		
Min. Illumination	Color: 0.01 Lux @ (F1.6, AGC ON) B/W: 0 Lux @ (IR LED ON)	Color: 0.03 Lux @ (F1.6, AGC ON), B/W: 0 Lux @ (IR LED ON)	Color: 0.01 Lux @ (F1.6, AGC ON), B/W: 0 Lux @ (IR LED ON)
Electronic Shutter	Auto/Manual, 1/5 to 1/20,000 s		

LENS

Part Number	MV-P289-FB (2MP)	MV-P589-FB (5MP)	MV-P889-FB (8MP)
Lens Type	Fixed focus		
Angle Adjustment	Pan: 0° to 360°, Tilt: 0° to 90°, Rotation: 0 to 360°		
Iris	Fixed Iris		
Focus Control	Auto/Manual		
Iris Control (Optional for I Series)	Auto/Manual		
Focal Length	2.8 mm 4mm	2.8 mm 4mm	2.8 mm 4mm
F Number	F2.0 F1.6	F2.0 F1.6	F2.0 F1.6
Angle of View	H: 101.5°, V: 50.5° H: 80.3°, V: 41°	H: 93.8°, V: 68.2° H: 80°, V: 56.6°	H: 97.4°, V: 52.5° H: 88°, V: 44.8°

DORI DISTANCE

Part Number	MV-P289-FB (2MP)	MV-P589-FB (5MP)	MV-P889-FB (8MP)
Detect	44 m (144.4 ft) 56.5 m (185.4 ft)	72 m (236.2 ft) 80 m (262.4 ft)	88 m (288.7 ft) 112 m (367.5 ft)
Observe	17.6 m (57.7 ft) 22.6 m (74.1 ft)	32.8 m (107.6 ft) 32 m (105 ft)	35.2 m (115.5 ft) 44.8 m (147 ft)
Recognize	8.8 m (28.9 ft) 11.3 m (37.1 ft)	14.4 m (47.2 ft) 16 m (52.5 ft)	17.6 m (57.7 ft) 22.4 m (73.5 ft)
Identify	4.4 m (14.4 ft) 5.65 m (18.5 ft)	7.2 m (23.6 ft) 8 m (26.2 ft)	8.8 m (28.9 ft) 11.2 m (36.7 ft)

IR Bullet Network Camera



TECHNICAL SPECIFICATION

VIDEO

Streaming Capability	3 Streams		
Max. Image Resolution	1920x1080	2592x1944	3840x2160
Stream/Frame Rate	Stream1: 1920 × 1080, 1280 × 720 @25/30 fps Stream2: D1, VGA, 640 × 360, CIF, QVGA @25/30 fps Stream3: VGA, CIF, QVGA @25/30 fps	Stream1: 2592 × 1944, 2592 × 1520, 1920 × 1080, 1280 × 720 @25/30 fps Stream2: D1, VGA, CIF @25/30 fps Stream3: VGA, CIF, QVGA @25/30 fps	Stream1: 3840 × 2160, 2592 × 1944, 2592 × 1520, 2560 × 1440, 2304 × 1296, 1920 × 1080, 1280 × 720 @25/30 fps Stream2: D1, VGA, CIF @25/30 fps Stream3: VGA, CIF, QVGA @25/30 fps
Bit Rate Control	CBR/VBR		
Bit Rate	Stream1: 200 kbps to 12 Mbps Stream2: 100 kbps to 6 Mbps Stream3: 100 kbps to 3 Mbps	Stream1: 200 kbps to 12 Mbps Stream2: 100 kbps to 6 Mbps Stream3: 100 kbps to 3 Mbps	Stream1: 200 kbps to 12 Mbps Stream2: 100 kbps to 6 Mbps Stream3: 100 kbps to 3 Mbps
Region of Interest	Off/On (8 areas, Rectangle)		
Smart Encode	Support		

AUDIO

Compression	G.711, RAW_PCM
Bit Rate	64Kbps (G.711), 128Kps (RAW_PCM)

ILLUMINATOR

Illuminator Type	IR
Illumination Distance	Up to 30 m (98.4 ft)
Illumination On/Off Control	Auto/Manual

IMAGE

Image Adjustment	Brightness, Sharpness, Contrast, Saturation adjustable
Aisle Mode	Support
Mirror	Support
White Balance	Auto/Manual
Day/Night Setting	Auto, Day, Night, Time
Smart IR	Support
Noise Reduction	2D/3D DNR
Image Enhancement	HLC, BLC, Defog
Wide Dynamic Range	True WDR
S/N Ratio	55dB
Motion Detection	Support
Privacy Masking	4 areas

IR Bullet Network Camera



TECHNICAL SPECIFICATION

SMART FUNCTION

Multi-Object Detection	Supports face, human, vehicle detection and capture
Intelligent Analytics	Intrusion, Single line crossing, Double line crossing, Loitering, Wrong-way Support alarm triggering by specified target types (human and vehicle)
People Counting	Support

NETWORK

Protocols	IPv4/IPv6, 802.1x, HTTP, HTTPS, TCP/IP, UDP/IP, RTSP, DHCP, NTP, RTCP/RTP, PPPoE, SMTP, DNS, UPnP, FTP, ARP, SNMP, TLS/SSL
Interoperability	ONVIF, SDK, CGI
Streaming Method	Multicast
Max. User Access	10 Users
Web Viewer	<IE11, Chrome, Firefox, Microsoft Edge
Language	English, Chinese, Polish, Italian, Portuguese, Spanish, Russian, French, Czech, Hungarian. Default: English

INTERFACE

Network Interface	1 Ethernet (10/100 Base-T) RJ-45 Connector
Built-in Microphone	Support
Audio Interface	1ch Input, 1ch Output
Alarm Interface	1ch Input, 1ch Output
Reset Button	Support
SD Card Slot	Built-in, up to 256GB

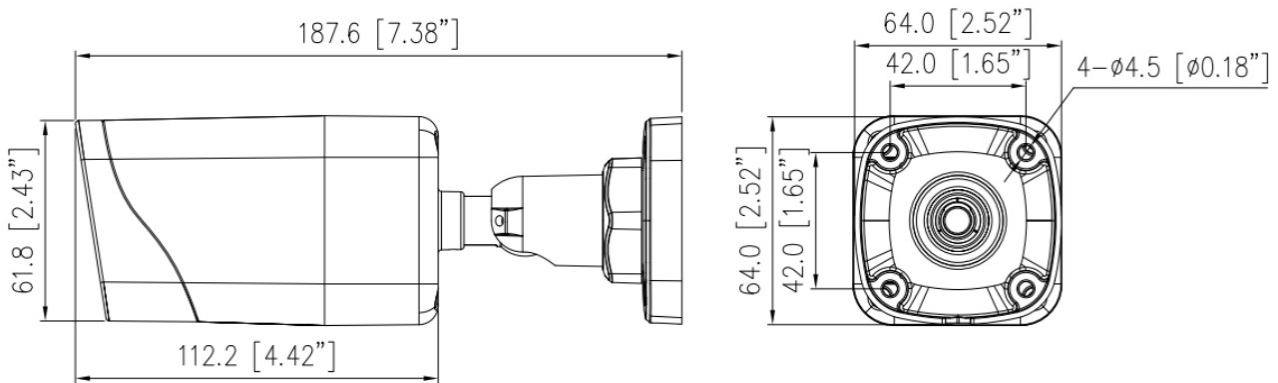
ELECTRICAL

Power Supply	DC12V (-15% to +25%)/PoE (IEEE 802.3af)		
Power Consumption	Max 6.5 W	Max 6.5 W	Max 9.5 W
Operating Temperature	-40°C to 55°C (-40°F to 131°F)		
Operating Humidity	Less than 90% RH		
Ingress Protection	IP67		
Certifications	CE/FCC		
Casing	Metal + Plastic		
Dimensions	187.6 × 64 × 64mm (7.39 × 2.52 × 2.52 inch)		
Net Weight	0.6 kg (1.32 lb)		

IR Bullet Network Camera



STRUCTURE DIAGRAMS (mm)



ACCESSORIES (Optional)



Junction Box



Pole Mount