

MVP-3012-DP

ViewPro 

2M Sony x30 HD IP PTZ Indoor In-Ceiling Camera



SYSTEM OVERVIEW

ViewPro HD IP series network camera supports some intelligent functions, such as perimeter protection and smart motion detection. It adopts starlight solution, which makes a better image effect in low illuminance.

FEATURES

- 1/2.8" 2.0 Mega Pixel CMOS
- Outputs max. (1920x1080)
- Focus Length: $f = 4.6 \sim 138.0$ mm, $F1.6 \sim F4.7$
- 360x Zoom Control (Optical 30x, Digital 12x)
- 5.7" Bubble dome enclosure
- Endless 360° Pan Rotation
- Lightning Speed (MAX.360°/sec) & Smooth Manual Speed
- Power-up Action, Parking Action
- Virtual Joystick on the Image
- Built-in 2 Sensor Inputs and 1 Relay Output
- Material: Body: Plastic, Clear Bubble: Polycarbonate
- Dimensions (D x H): $\varnothing 211.8 \times 244.2$ (H) mm

FUNCTIONS

Vector Driving

Vector Driving Based on the shortest time and the smallest cost concept, each Pan and Tilt motion is done with simultaneous and harmonious manner by Vector drive technology.

Auto Map Generation

Flat Form Factor Especially, form factor of PIF flat dome is designed to install lower ceiling applications such as buses, trains, ships or corridor.

Triple Codec, Simultaneous Multi Streaming

Triple codec, Simultaneous Multi Streaming Triple H/W codec enables to transmit max 3 independent streams with different settings for different requirements. Therefore, it is possible to monitor video remotely using H.264 and transmit to NVR as well.

Micro Stepping Technology

Micro-stepping Technology Due to the Micro-stepping technology, one step angle is divided by 256. Accordingly, high accuracy as well as ultra low sound noise (under 60dB) can be achieved. Micro-stepping technology enables ultra low speed down to 0.05°/s for high zoom operations.

Virtual Joystick on the Image

Virtual Joystick on the Image Virtual Joystick is inspired by real 3-Axis Joystick. You can decide PT direction by right clicking the image and change the zoom in out by scrolling mouse wheel. The PT speeds are proportional to how much you deviate mouse from the center. Using this function, control of PTZ is done in instinctive manner.

Real-time High Definition Dome Camera

Real-time High Definition Dome Camera Using the state of art video compression engine, real time HD video streams of 720p can be delivered for recording and monitoring.



MVP-3012-DP

ViewPro

TECHNICAL SPECIFICATION

CAMERA

Image Sensor	1/2.8" 2.0 Mega Pixel CMOS
Effective Pixels	Approx. 2 Mega pixels
Aspect Ratio	Aspect Ratio
Zoom	X30 Optical Zoom / X12 Digital Zoom
Focal Length	f = 4.6 ~ 138.0 mm, F1.6 ~ F4.7
Horizontal Angle	59.5°(W) ~2.1 °(T)
Min. Illumination	Color: 1.7 Lux @ 50IRE, F1.6 B/W: 0.3 lux @ 50IRE, F1.6
Day & Night	Auto / Day / Night (ICR)
Focus	Auto(Near Limit setting)/ Semi Auto/ Manual
DNR	Level Adjustment (1~5)
Shutter Speed	1/1 ~ 1/10000 sec (22Steps)
AGC	Auto / MANUAL / MAX Gain Limit
White Balance	AUTO/ATW/Manual/Indoor/Outdoor/One-Push SodiumVaporLamp(fix/auto)
WDR	On / Off
Other Functions	3D DNR , 3 Sensor out in 1/3x Scale down, 1 Sensor out in 1x zoom
Range	Pan : 360°(Endless) Tilt : 90°
Pan/Tilt Speed	Preset : 360°/ sec Manual : 0.05°~360°/sec (Zoom Proportional) Scan : 1°~ 360°/ sec
Preset	1024 Presets with Labels
Pattern	128 Patterns
Scan	Scan
Group	128 Groups (MAX. 20 Entries for Each Group)
Privacy Zone	Spherical Privacy Zone Masking

ENCODER (Audio & Video)

Video Compression	Triple Codec,H.264/MPEG4/MJPEG
Max Resolution	1920 x 1080
Multiple Profile Streaming Performance	Multi Streaming CBR/VBR (Controllable frame rate and Bandwidth)
Video Bit rate	100Kbps ~ 10Mbps, Multi-rate for Preview and Recording
Resolution	H.264 : 1080p/720p/D1/CIF MJPEG : 1080P/720p/D1/CIF/QCIF MPEG-4 : 720p/D1/CIF
Frame Rate	Max. 30 fps for 1080p/720p/D1/CIF/QCIF
Audio Compression	Two way, G.711 PCM. μ -law 64kbps 8kHz
Edge Storage	SDHC memory card (card is not included)

SECURITY & NETWORK

Network Protocol	IPv4/IPv6, Zero config(Auto IP) ONVIF, TCP/IP, UDP, RTP(UDP/TCP), RTSP, NTP, HTTP,HTTPS, SSL, DNS, DDNS, DHCP, FTP, SMTP, ICMP, SNMPv1/v2c/v3(MIB-2)
Security	HTTPS (SSL), IP filtering, 802.1x, Digest Authentication(ID/PW)
OS Supported	Windows 7, Vista, XP, 2000
OS	Embedded Linux
DSP	TI DM368
Max No. of Clients	10

I/O & EVENT

Audio In / Out	-
Alarm In /Out	2 Alarm Sensor In / 1 Out
Video Output (2nd Video Out)	BNC: VBS 1.0 Vp-p
Alarm	Pre-Post Alarm
Pre-Post Recording	Pre: 1~5 sec. Post: 1~240 sec.
Motion Detection	Notification: FTP, E-Mail, Alarm Out, JPEG Recording on SD

GENERAL

Support Languages	English, Korean, Japanese
Power	(Adaptor is not Included) DC DC12V / POE IEEE 802.3af
Power Consumption	AC 24V / DC 12V 23W High 40W
Temperature	-10°C ~ 50°C 14°F ~ 122°F
Humidity	10~90% RH (non-condensing)
Material	Body: Plastic, Clear Bubble: Polycarbonate
Dimensions (D x H)	Ø211.8 x 244.2(H) mm
Weight	Net: 1.75kg, Package: 2.4kg
Approvals	FCC, CE, ROHS

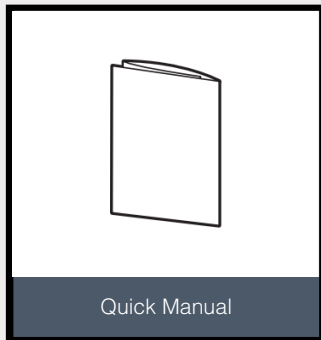
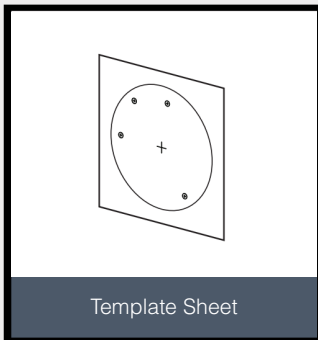
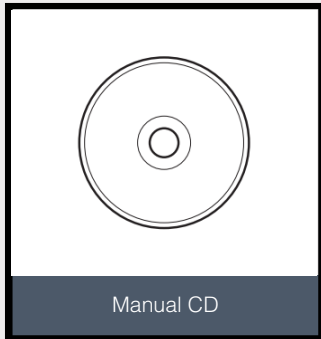
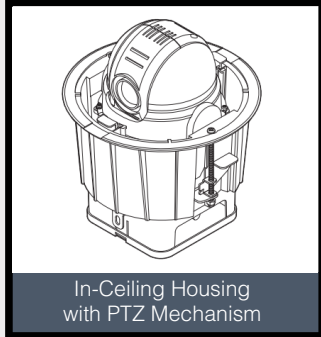
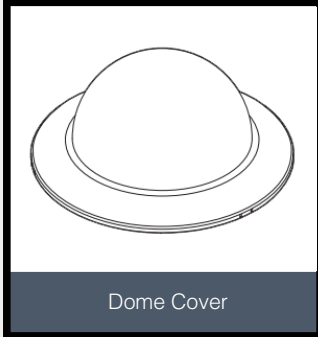
STRUCTURE

Dome	72.7 Ø
Height	244.2 mm
Width	211.8 mm
Length	211.8 mm
Weight	Net: 1.75 Kg



MVP-3012-DP

ViewPro



Dimensions (mm/inch)

