

## MV-IPPTW30X-2M

**EmPower** 

### 2MP 30x Starlight IR PTZ Network Camera

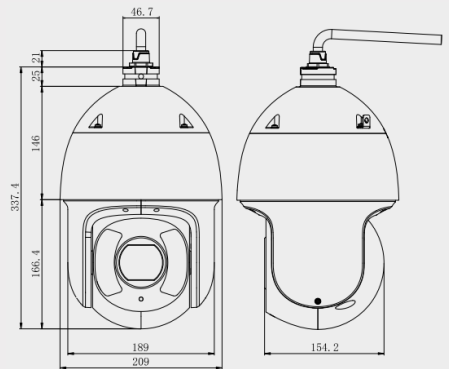


### SYSTEM OVERVIEW

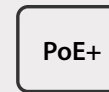
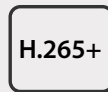
Featuring powerful optical zoom and accurate pan/tilt/zoom performance, this camera can provide large monitoring range and great detail. The camera has very excellent low light performance due to adopting the latest starlight technology.

### FEATURES

- 1/2.8" 2Megapixel STARVIS™ CMOS
- Powerful 30x optical zoom
- Starlight technology
- Max. 50/60fps@1080p
- Auto-tracking and IVS
- Support PoE+
- IIR distance up to 200m
- PoE+, IP67, IK10



### FUNCTIONS



#### Starlight Technology

For challenging low-light applications, Unisight's Starlight Ultra-low Light Technology offers best-in-class light sensitivity, capturing color details in low light down to 0.005 lux. The camera uses a set of optical features to balance light throughout the scene, resulting in clear images in dark environments.

#### Wide Dynamic Range

The camera achieves vivid images, even in the most intense contrast lighting conditions, using industry-leading wide dynamic range (WDR) technology. For applications with both bright and low lighting conditions that change quickly, True WDR (120 dB) optimizes both the bright and dark areas of a scene at the same time to provide usable video.

#### Auto-Tracking

This feature controls the pan/tilt/zoom actions of the camera to automatically track an object in motion and to keep it in the scene. The tracking action can be triggered manually or automatically by defined rules. Once a rule is triggered, the camera can zoom in and track the defined target automatically.

#### Smart H.265+

Smart H.265+ is the optimized implementation of the H.265 codec that uses a scene-adaptive encoding strategy, dynamic GOP, dynamic ROI, flexible multiframe reference structure and intelligent noise reduction to deliver high-quality video without straining the network. Smart H.265+ technology reduces bit rate and storage requirements by up to 70% when compared to standard H.265 video compression.

#### PFA Technology

PFA technology has innovatively introduced new methods of judgment to ensure the accuracy and predictability of the direction of subject distance adjustment. The result is a set of advanced focusing algorithms. PFA ensures clarity of the image throughout the process of zooming and shortens focus time. The realization of PFA technology substantially improves user experience and increases product value.



# MV-IPPTW30X-2M

# EmPower

## TECHNICAL SPECIFICATION

### CAMERA

Image Sensor	1/2.8" STARVIS™ CMOS
Effective Pixels	1920(H) x 1080(V), 2 Megapixels
RAM/ROM	512M/128M
Scanning System	Progressive
Electronic Shutter Speed	1/1s~1/30,000s
Min. Illumination	Color: 0.005Lux@F1.6; 0Lux@F1.6 (IR on)
S/N Ratio	More than 55dB
IR Distance	Distance up to 200m (656ft)
IR On/Off Control	Auto/Manual
IR LEDs	6

### LENS

Focal Length	4.5mm ~ 135mm
Max. Aperture	F1.6 ~ F4.4
Angle of View	H: 67.8° ~ 2.4°
Optical Zoom	30x
Focus Control	Auto/Manual
Close Focus Distance	100mm ~ 1000mm

### DORI Distance

\*The DORI distance is a "general proximity" of distance which makes it easy to pinpoint the right camera for your needs. The DORI distance is calculated based on sensor specification and lab test result according to EN 62676-4 which defines the criteria for Detect, Observe, Recognize and Identify respectively.

Detect	Observe	Recognize	Identify
1862m(6109ft)	744m(2441ft)	372m(1220ft)	186m(610ft)

### PTZ

Pan/Tilt Range	Pan: 0° ~ 360° endless; Tilt: -20° ~ 90°, auto flip 180°
Manual Control Speed	Pan: 0.1° ~200° /s; Tilt: 0.1° ~120° /s
Preset Speed	Pan: 300° /s; Tilt: 200° /s
Presets	300
PTZ Mode	5 Pattern, 8 Tour, Auto Pan ,Auto Scan
Speed Setup	Human-oriented focal Length speed adaptation
Power up Action	Auto restore to previous PTZ and lens status after power failure
Idle Motion	Activate Preset/ Scan/ Tour/ Pattern if there is no command in the specified period

### INTELLIGENCE

Auto Tracking	Support
IVS	Tripwire, Intrusion, Abandoned/Missing, Face Detection, Heat Map

### VIDEO

Compression	H.265+/H.265/H.264+/H.264
Streaming Capability	3 Streams
Resolution	1080P(1920x1080)/1.3M(1280x960) 720P(1280x720)/D1(704x576/704x480) CIF(352x288/352x240)
Frame Rate	Main stream: 1080P/1.3M/720P(1~50/60fps) Sub stream 1: D1/CIF(1 ~ 25/30fps) Sub stream 2: 1080P/1.3M/720P/D1/CIF (1~25/30fps)
Bit Rate Control	CBR/VBR
Bit Rate	H.265/H.264: 448K ~ 8192Kbps
Day/Night	Auto(ICR) / Color / B/W
Backlight Compensation	BLC / HLC / WDR (120dB)
White Balance	Auto, ATW, Indoor, Outdoor, Manual
Gain Control	Auto / Manual
Noise Reduction	Ultra DNR (2D/3D)
Motion Detection	Support
Region of Interest	Support
Electronic Image	Support
Stabilization (EIS)	-
Defog	Support
Digital Zoom	16x
Flip	180°
Privacy Masking	Up to 24 areas

### AUDIO

Compression	G.711a/G.711Mu/AAC/G.722 / G.726/G.729 MPEG2-L2
-------------	--

### NETWORK

Ethernet	RJ-45 (10Base-T/100Base-TX)
Protocol	IPv4/IPv6, HTTP, HTTPS, SSL, TCP/IP, UDP, UPnP, ICMP, IGMP, SNMP, RTSP, RTP, SMTP, NTP, DHCP, DNS, PPPOE, DDNS, FTP, IP Filter, QoS, Bonjour, 802.1x
Interoperability	ONVIF, PSIA, CGI
Streaming Method	Unicast / Multicast
Max. User Access	20 users
Edge Storage	NAS (Network Attached Storage), Local PC for instant recording, Micro SD card 128GB
Web Viewer	IE, Chrome, Firefox, Safari
Management Software	MicroView VMS
Smart Phone	iOS, Android

### CERTIFICATIONS

Certifications	CE: EN55032/EN55024/EN50130-4 FCC: Part 15 subpart B, ANSI C63.4- 2014 UL: UL60950-1+CAN/CSA C22.2, No. 60950-1
----------------	---



# MV-IPPTW30X-2M

# EmPower

## INTERFACE

Video Interface	1 port(BNC, 1.0V[p-p], 75Ω)
RS485	1
Audio I/O	1/1
Alarm I/O	7/2

## ELECTRICAL

Power Supply	AC24V/3A(±25%), PoE+(802.3at)
Power Consumption	17W, 26W(IR On, Heater On)

## ENVIRONMENTAL

Operating Conditions	-40°C ~ 70°C (-40°F ~ +158°F) Less than 95% RH
Ingress Protection	IP67
Vandal Resistance	IK10

## CONSTRUCTION

Casing	Metal
Dimensions	φ209×337.4mm
Net Weight	5.8kg(12.79lb)
Gross Weight	9.1kg(20.06lb)

## Accessories (Included)



PFB305W  
Wall Mount



AC24V/3A  
Power Adapter

## Accessories (Optional)



PFA111  
Mount Adapter



PFA140  
Power Box



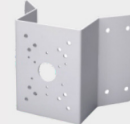
PFB300C  
Ceiling Mount



PFA120  
Junction Box



PFA150  
Pole Mount



PFA151  
Corner Mount



PFB303S  
Parapet Mount

